

Butterfly valve Z100

SPECIFICATIONS

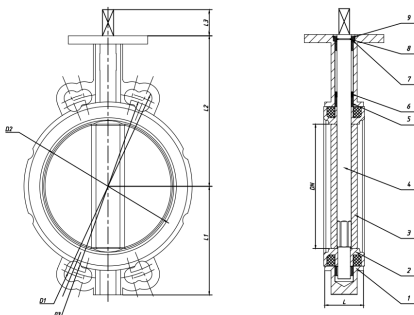
Nominal diameter	DN50-DN300
Connection	Wafer, Lug
Media temperature	EPDM:-10°C to 100°C NBR:-10°C to 80°C PTFE:-40 to 200°C
Pressure Range	10/16 bars
Permissible medium	EPDM : hot water, cold water HVAC, Irrigation etc. NBR: hydrocarbons, waster water, Sea water fuel, natural gas, oil, grease, compressed air, glycol
Flange Connection	PN10/16, ASA150, JIK10K
Design standard	EN593
Face to face	EN 558-Series 20 and 13/ ISO 5752 series 20/ API 609 table 2
Tightness test of shell	According to EN12266-1 Resistance and tightness of the body : test P11 (1,5 x allowable operating pressure)
Tightness of the seat	According to EN12266-2 Test P12 rate A (1,1 x allowable Operating pressure)



FEATURES

- * Omeax Z100 butterfly guarantee perfect tightness thanks to precise machining of disc and body.
- * 1 piece hexagon shape shaft and disc design assure low and stable torque.
- * The spherical disc allows the disc to have equal penetration of disc into the liner.
- * Phenolic backed cartridge seat design for extended service and ease of replacement.
- * Extended neck for insulation - no fabricated extensions required.
- * Epoxy coating no less than 130 μ m on valve body, special thickness on request.

DIMENSIONS



DN (mm)	DN (inch)	L1	L 2	L3	D1	D2	D3	L
50	2	66	131	16	125	52.2	105	43
65	2.5	86	140	16	145	63.9	130	46
80	3	94	154	16	160	78.5	145	46
100	4	110	173	20	180	104	165	52
125	5	128	189	25	210	123	200	56
150	6	140	199	25	240	155	230	56
200	8	170	236	30	295	202	280	60
250	10	205	277	30	355	250	345	68
300	12	238	317	30	410	301	390	78

PARTS LIST

Part	Material
1.Body	GJL-250, SS304
2.Seat	EPDM, NBR, PTFE
3.Disc	GJS-400, SS316
4.Stem	EN 1.4021, 2Cr13
5.Bushing	PTFE
6.Y-ring	EPDM
7.Anti- extrusion bush	ASTM A570 Steel, grade 45
8.Circlip	EN 17221
9.Circlip	EN 17221