

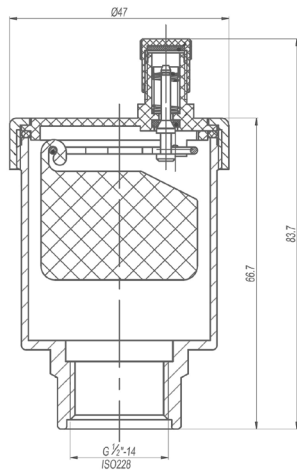


### SPECIFICATIONS

DN mm	DN15 - DN15
DN inch	1/2" - 1/2"
Temperature	0°C to 120°C
Type of body	F
Application	Clear water
Threaded	BSP
Options	Other specifications on request

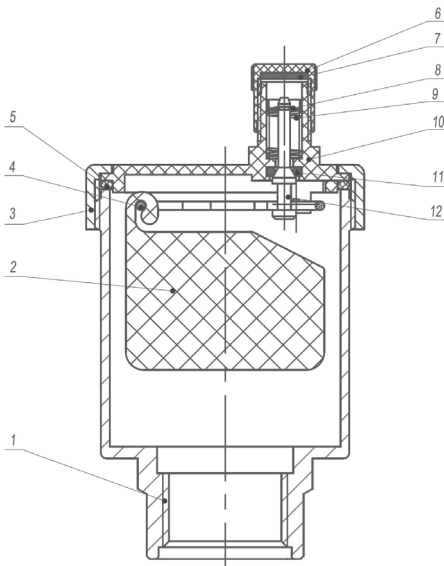
### ADVANTAGES

## DIMENSIONS



DN mm	DN inch	PFA
15	1/2"	10

## NOMENCLATURE



Designation	Materials
1.Body	Brass
2.Float	PC
3.Bonnet	Brass
4.Card spring	Stainless steel 201
5.O-ring	EPDM
6.Cap	Brass
7.Gasket	EPDM
8.Card spring	Stainless steel 304
9.Spring	Stainless steel 304
10.Cap	Brass
11.O-ring	EPDM
12.Cap	Brass

