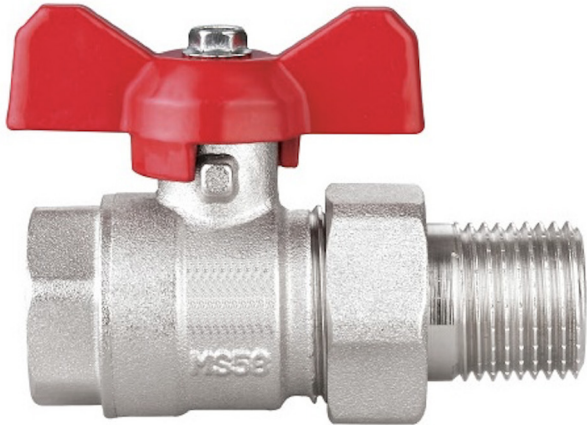


### SPECIFICATIONS

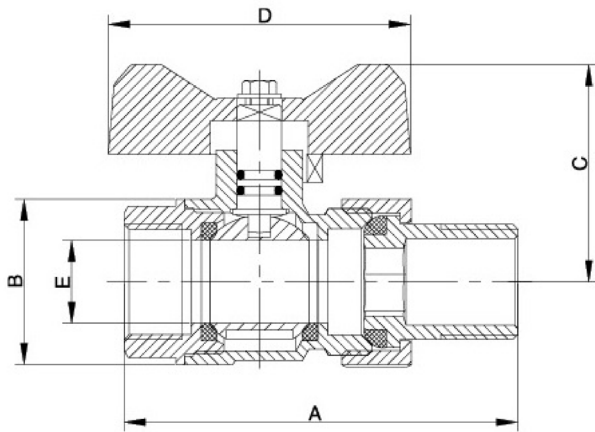
DN mm	DN8 - DN100
DN inch	1/4" - 4"
Temperature	-10°C to 120°C
Type of body	M/F
Application	Water services, Heating, Air conditioning plants, Compressed air systems
Connection	Threaded ISO 228-1 BSP (equivalent to DIN 259 and BS 2779)
Test	Opening/closing test: 10000 times
Options	Other specifications on request



### ADVANTAGES

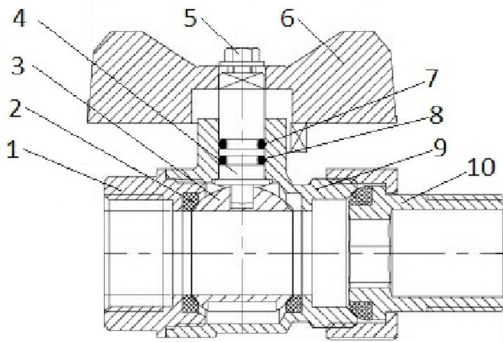
1. Anti blow-out stem
2. Solid ball
3. PTFE packing
4. Flat steel handle or aluminium butterfly handle
5. Reversible handle
6. BSP, NPT

## DIMENSIONS



DN mm	DN inch	PFA	A	B	C	D	E
8	1/4"	25	40	23	39.2	87	9
10	3/8"	25	41	23	39.8	87	10
15	1/2"	25	48.2	29.5	54.2	95	14.8
20	3/4"	25	56	35.6	57.6	95	19
25	1"	25	65	42.7	60.6	126	24
32	1"1/4	25	76	53	85.8	140	30.2
40	1"1/2	25	85	63	81.3	140	37
50	2"	25	99	79	88.5	165	47
65	2"1/2	25	132	102.5	121.5	224	62
80	3"	25	152	120.5	129.5	224	74
100	4"	25	178	144.5	141	283.5	90

## NOMENCLATURE



Designation	Materials
1. Bonnet	Brass-CW614
2. Seal	PTFE
3. Ball	Brass-CW614
4. Stem	Brass-CW614
5. Screw	Stainless steel
6. Handlever	Steel
7. O-ring	Fluorubber
8. O-ring	NBR
9. Body	Brass-CW614
10. Slipknot nut	Brass-CW614

