

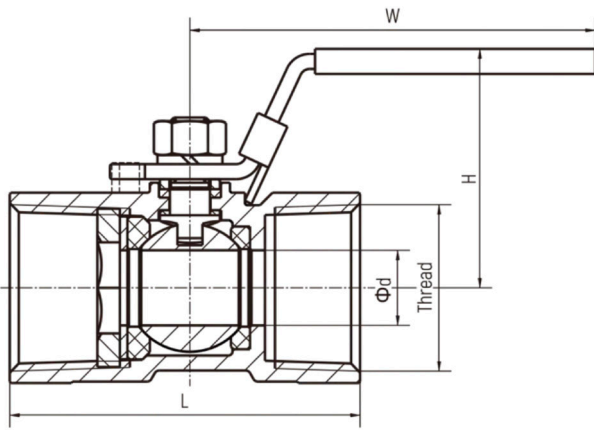
SPECIFICATIONS

DN mm	DN8 - DN50
DN inch	1/4" - 2"
Temperature	-10°C to 120°C
Type of body	F/F
Application	Water services, Heating, Air conditioning plants, Compressed air systems
Connection	Threaded ISO 228-1 BSP (equivalent to DIN 259 and BS 2779)
Test	MSS SP-100, EN 12266, API 598, ISO 5208
Design	ANSI B16.34
Wall Thickness	ANSI B16.34
Options	Other specifications on request

ADVANTAGES

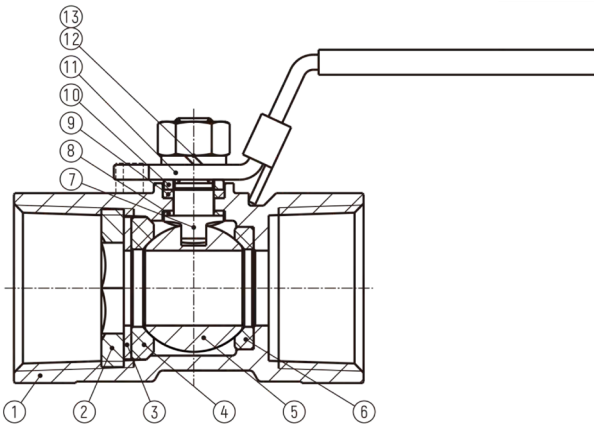
1. Investment casting body and cap (1/4'~2')
2. Solid ball for high performance working conditions
3. Pressure relief hole in ball slot is available on request
4. Blow-out proof stem
5. High performance machined seat as option
6. Lock device for the handle as option

DIMENSIONS



DN mm	DN inch	PFA	d	L	H	W
8	1/4"	63	5	40	35	58
10	3/8"	63	7	45	38	70
15	1/2"	63	9	55	40	85
20	3/4"	63	12	60	42	85
25	1"	63	15	70	45	100
32	1"1/4"	63	20	80	54	100
40	1"1/2"	63	25	85	61	125
50	2"	63	32	101	68	125

NOMENCLATURE



Designation	Materials
1.Body	CF8-A351 / CF8M-A351 / WCB-A216
2.Bonnet	CF8-A351 / CF8M-A351 / WCB-A216
3.Pressure plate	SS304 / SS316
4.Seat 1	PTFE / RPTFE
5.Ball	SS304 / SS316
6.Seat 2	PTFE / RPTFE
7.Stem	SS304 / SS316
8.Anti-wear gasket	PTFE / RPTFE
9.Packing	PTFE / RPTFE
10.Gland	SS304
11.Handle	SS304
12.Gasket	SS304
13.Nut	SS304

