

### SPECIFICATIONS

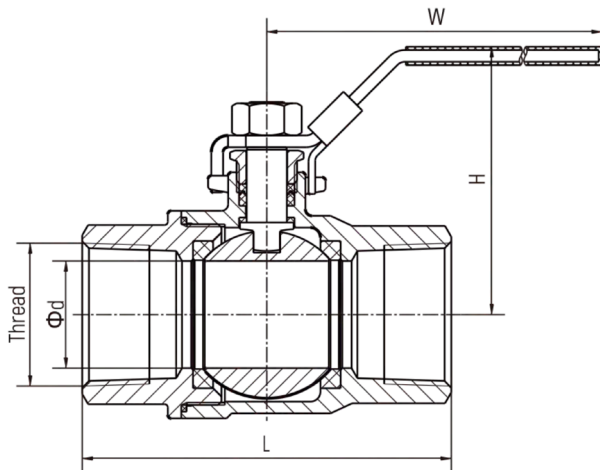
DN mm	DN8 - DN100
DN inch	1/4" - 4"
Temperature	-10°C to 120°C
Type of body	F/F
Application	Water services, Heating, Air conditioning plants, Compressed air systems
Connection	Threaded ISO 228-1 BSP (equivalent to DIN 259 and BS 2779)
Test	MSS SP-100, EN 12266, API 598, ISO 5208
Design	ANSI B16.34
Wall Thickness	ANSI B16.34
Options	Other specifications on request



### ADVANTAGES

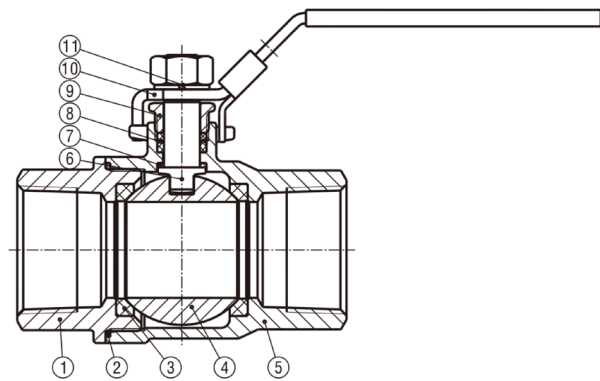
1. Investment casting body and cap (1/4'~2')
2. Solid ball for high performance working conditions
3. Pressure relief hole in ball slot is available on request
4. Blow-out proof stem
5. High performance machined seat as option
6. Lock device for the handle as option

## DIMENSIONS



DN mm	DN inch	PFA	d	L	H	W
8	1/4"	63	12	55	49	90
10	3/8"	63	12	60	49	90
15	1/2"	63	15	75	110	110
20	3/4"	63	20	80	120	120
25	1"	63	25	90	130	130
32	1"1/4"	63	32	110	140	140
40	1"1/2"	63	38	120	175	175
50	2"	63	49	140	175	175
65	2"1/2"	63	64	185	220	220
80	3"	63	76	205	270	270
100	4"	63	100	240	310	310

## NOMENCLATURE



Designation	Materials
1. Bonnet	CF8-A351 / CF8M-A351 / WCB-A216
2. Sealing line	PTFE / RPTFE
3. Seat	PTFE / RPTFE / PPL / PEEK
4. Ball	SS304 / SS316
5. Body	CF8-A351 / CF8M-A351 / WCB-A216
6. Stem	SS304 / SS316
7. Anti-wear gasquet	PTFE / RPTFE
8. V-type Packing	PTFE / RPTFE
9. Gland	SS304
10. Handle	SS304
11. Stem Nut	SS304

