

### SPECIFICATIONS

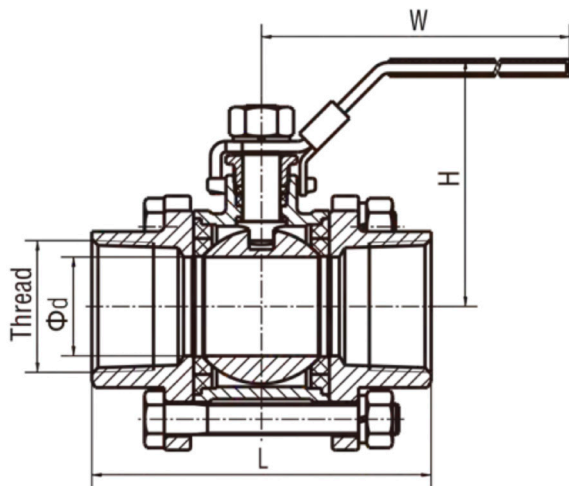
DN mm	DN15 - DN100
DN inch	1/2" - 4"
Temperature	-10°C to 120°C
Type of body	F/F
Application	Water services, Heating, Air conditioning plants, Compressed air systems
Connection	Threaded ISO 228-1 BSP (equivalent to DIN 259 and BS 2779)
Test	MSS SP-100, EN 12266, API 598, ISO 5208
Design	ANSI B16.34, API 608
Wall Thickness	ANSI B16.34, EN 12516-3
Options	Other specifications on request



### ADVANTAGES

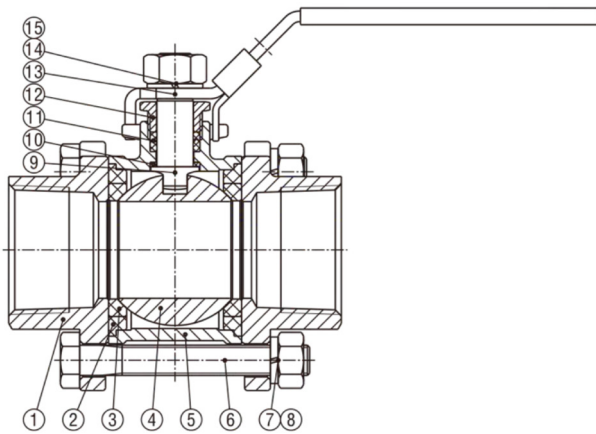
1. Investment casting body and cap (1/4'~2')
2. Solid ball for high performance working conditions
3. Pressure relief hole in ball slot is available on request
4. Blow-out proof stem
5. High performance machined seat as option
6. Lock device for the handle as option

## DIMENSIONS



DN mm	DN inch	PFA	d	L	H	W
15	1/2"	63	15	75	52	110
20	3/4"	63	20	80	63	120
25	1"	63	25	90	67	130
32	1"1/4	63	32	110	80	140
40	1"1/2	63	38	120	93	175
50	2"	63	49	140	110	175
65	2"1/2	63	64	185	117	220
80	3"	63	76	205	134	270
100	4"	63	100	240	157	310

## NOMENCLATURE



Designation	Materials
1. Bonnet	CF8-A351 / CF8M-A351 / WCB-A216
2. Sealing line	PTFE / RPTFE
3. Seat	PTFE / RPTFE / PPL / PEEK
4. Ball	SS304 / SS316
5. Body	CF8-A351 / CF8M-A351 / WCB-A216
6. Bolt	SS304
7. Gasket	SS304
8. Nut	SS304
9. Stem	SS304 / SS316
10. Anti-wear gasket	PTFE / RPTFE
11. V-type packing	PTFE / RPTFE
12. Gland	SS304
13. Handle	SS304
14. Gasket	SS304
15. Stem nut	SS304

