



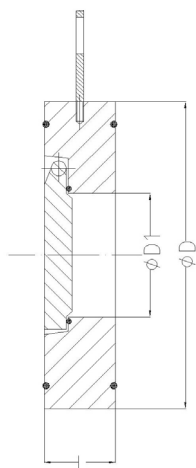
### SPECIFICATIONS

DN mm	DN50 - DN400
DN inch	2" - 16"
Temperature	EPDM -20°C to 100°C
Type of body	Wafer
Application	Water, General industry, Production processes, Hydrocarbons
Flange	PN 16
Options	Other specifications on request

### ADVANTAGES

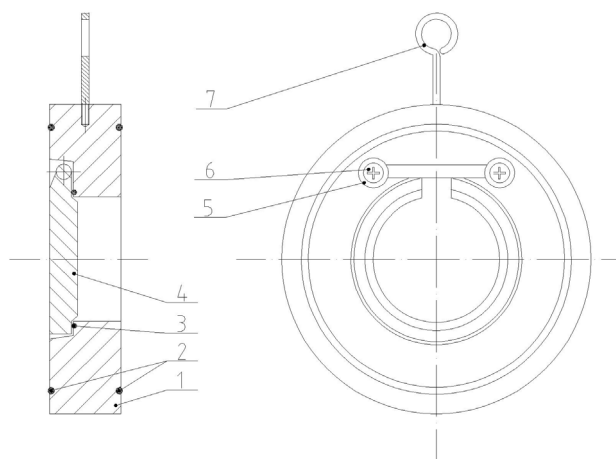
1. Short structure, small volume, light weight
2. The disc open under a small pressure difference
3. Smooth flow channel, low fluid resistance
4. Good sealing performance

## DIMENSIONS



DN mm	DN inch	PFA	L	ØD	ØD1
50	2"	16	19	109	25
65	2"1/2	16	19	129	38
80	3"	16	19	144	46
100	4"	16	19	164	72
125	5"	16	19	194	95
150	6"	16	19	220	114
200	8"	16	29	275	140
250	10"	16	29	331	188
300	12"	16	38	386	216
350	14"	16	44	446	263
400	16"	16	51	495	305

## NOMENCLATURE



Designation	Materials
1.Body	A216WCB
2.O-ring	EPDM
3.O-ring	EPDM
4.Disc	A216WCB
5.Washer	Stainless steel 304
6.Screw	Stainless steel 304
7.Eye bolt	A216WCB

