



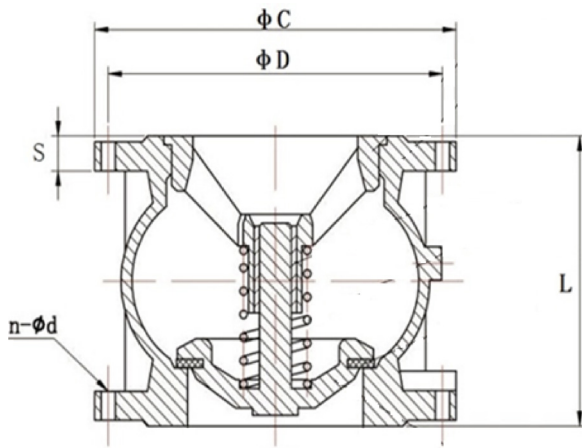
### SPECIFICATIONS

DN mm	DN50 - DN350
DN inch	2" - 14"
Temperature	EPDM -10°C to 120°C
Type of body	Flange
Application	Clear water, Fire protection networks, Pumping stations
Flange	PN 16
Valve design standard	EN 12334, ASME B16.1, ASME B16.42
Flange drilling	EN 1092-2
Tightness test (according to EN 12266-1)	Resistance and tightness of the body (1.5 x allowable operating pressure), Tightness of the seat, (1.1 x allowable operating pressure)
Options	Other specifications on request

### ADVANTAGES

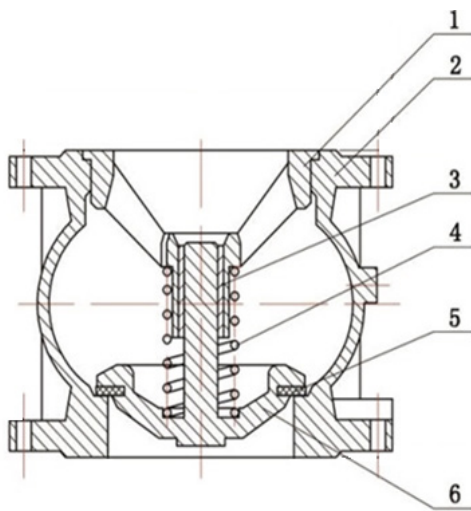
1. Hydraulic design to reduce head loss and water hammer
2. Any position installation
3. Excellent tightness assured by closing system
4. Silent operation
5. Robust closing system design
6. Stainless steel spring to assure frequent opening / closing operation
7. Easy maintenance: the guide can be removed easily
8. Lateral body bosses can be drilled on request to enable the mounting of pressure gauge
9. Cable-pass for pump

## DIMENSIONS



DN mm	DN inch	PFA	L	ØC	ØD	S	n-Ød
50	2"	16	100	165	125	17	4-Ø19
65	2"1/2	16	120	185	145	17	4-Ø19
80	3"	16	140	200	160	19	8-Ø19
100	4"	16	170	220	180	21	8-Ø19
125	5"	16	200	250	210	23	8-Ø19
150	6"	16	230	285	240	23	8-Ø23
200	8"	16	301	340	295	27	12-Ø23
250	10"	16	370	405	355	29	12-Ø28
300	12"	16	410	460	410	29	12-Ø28
350	14"	16	473	520	470	30	16-Ø28

## NOMENCLATURE



Designation	Materials
1. Guide	Ductile iron GGG40
2. Body	Cast iron GG25
3. Guiding stem	PTFE
4. Spring	Stainless steel 316
5. Seal	EPDM
6. Disc	Ductile iron GGG40

## HEADLOSS

