



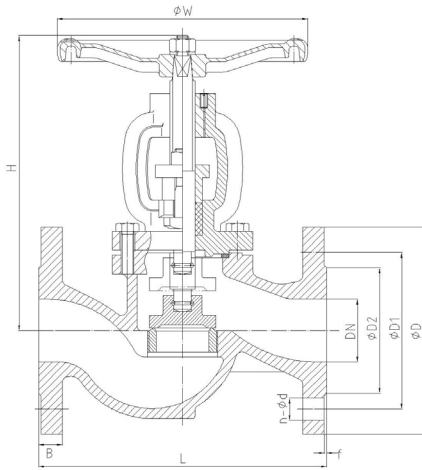
SPECIFICATIONS

DN mm	DN15 - DN300
DN inch	1/2" - 12"
Temperature	-20°C to 200°C
Type of body	Double flanges
Application	Clear water, Fire protection, Irrigation, Sewage
Flange	PN 10, PN 16, PN 25
Valve Standard	EN 1171, EN 1074
Face to face	DIN 3202 F1
Flange drilling	EN 1092-2
Tightness test	EN 12266-1
Epoxy coating	150µm (standard), other thickness on request
Options	Other specifications on request

ADVANTAGES

1. Excellent performance: low pressure drop and low torque
2. Full bore design
3. Wedge fully encapsulated in moulded EPDM
4. Linear sealing design provides better sealing and lower closing torque
5. Three independant stem seals offering triple safety: PTFE dust cover protects against dirt outside
6. A polyamid bearing with 3 NBR O-rings protects against galvanic corrosion
7. Operation: valve could be operated by hand wheel/head cap/worm gear/electric actuator

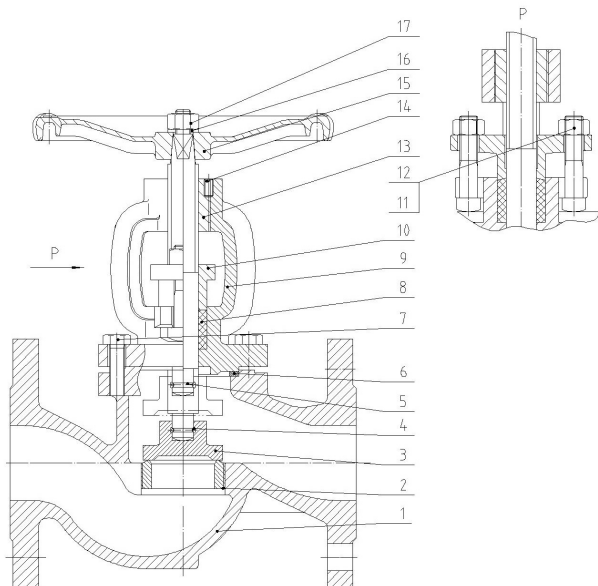
DIMENSIONS



DN mm	DN inch	PFA	L	ØD	ØD1	ØD2	B	f	H	ØW	n-Ød
15	1/2"	10	130	95	65	46	14	2	112	73	4-Ø14
		16					16				
		25					16				
20	3/4"	10	150	105	75	56	16	2	113	73	4-Ø14
		16					18				
		25					18				
25	1"	10	160	115	85	65	16	3	129	96	4-Ø14
		16					18				
		25					18				
32	1 1/4"	10	180	140	100	76	18	3	147	96	4-Ø19
		16					20				
		25					20				
40	1 1/2"	10	200	150	110	84	18	3	171	120	4-Ø19
		16					20				
		25					20				
50	2"	10	230	165	125	99	20	3	191	130	4-Ø19
		16					22				
		25					22				
65	2 1/2"	10	290	185	145	118	20	3	209	160	4-Ø19
		16					24				8-Ø19
		25					24				8-Ø19
80	3"	10	310	200	160	132	22	3	338	220	8-Ø19
		16					26				
		25					26				
100	4"	10	350	220	180	156	24	3	368	240	8-Ø19
		16		235	190		28				8-Ø23
		25		235	190		28				8-Ø23
125	5"	10	400	250	210	184	26	3	442	300	8-Ø19
		16		270	220		30				8-Ø28
		25		270	220		30				8-Ø28
150	6"	10	480	285	240	211	26	3	465	320	8-Ø23
		16		300	250		34				8-Ø28
		25		300	250		34				8-Ø28
200	8"	10	600	340	295	266	26	3	508	400	8-Ø23
		16		360	310		30				12-Ø23
		25		360	310		34				12-Ø28
250	10"	10	730	395	350	319	28	3	630	450	12-Ø23
		16		405	355		32				12-Ø28
		25		425	370		36				12-Ø31
300	12"	10	850	445	400	370	28	4	887	600	12-Ø23
		16		460	410		32				12-Ø28
		25		485	430		40				16-Ø31



NOMENCLATURE



Designation	Materials
1.Body	Cast iron
2.Body seal ring	Z2Cr13
3.Disc	Stainless steel
4.Wire	Stainless steel 304
5.Stem	Z2Cr13
6.Gasket	Steel + Expanded graphite
7.Bolt	Steel
8.Packing	Expanded graphite
9.Bonnet	Ductile iron
10.Gland	Cast iron
11.T shape of bolt	Steel
12.Nut	Steel
13.Stem nut	Aluminium bronze
14.Slotted flat end set screw	Steel
15.Handwheel	Ductile iron
16.Flat washer	Steel
17.Nut	Steel

