



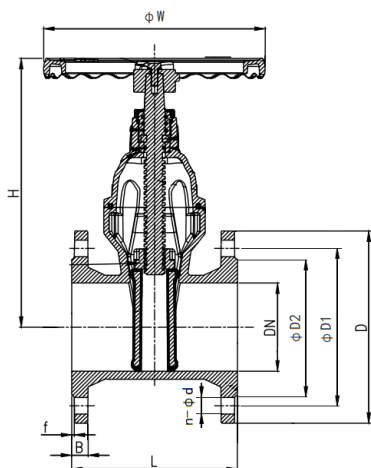
SPECIFICATIONS

DN mm	DN40 - DN600
DN inch	1"1/2 - 24"
Temperature	0°C to 80°C
Type of body	Double flanges
Application	Clear water, Fire protection, Irrigation, Sewage
Flange	PN 10, PN 16
Valve Standard	EN 1171, EN 1074
Face to face	EN 558-1, BS 5163
Flange drilling	EN 1092-2
Tightness test	EN 12266-1
Epoxy coating	150µm (standard), other thickness on request
Options	Other specifications on request

ADVANTAGES

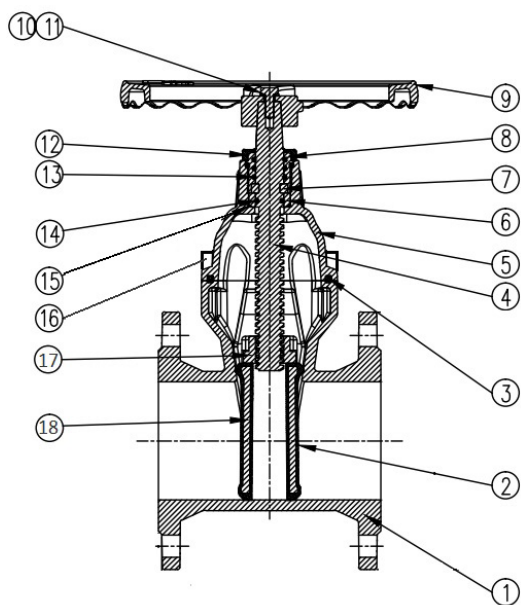
1. Excellent performance : low pressure drop and low torque.
2. Full bore design.
3. Wedge fully encapsulated in moulded EPDM.
4. Linear sealing design provides better sealing and lower closing torque.
5. Three independant stem seals offering triple safety : PTFE dust cover protects against dirt outside and a polyamid bearing with 3 NBR O-rings protects against galvanic corrosion.
6. Operation : valve could be operated by hand wheel/head cap/worm gear/electric actuator.

DIMENSIONS



DN mm	DN inch	PFA	L	ØD	ØD1	ØD2	B	f	H	ØW	n-Ød
40		16	165	150	110	84	19	3	215	180	4-Ø19
50	2"	16	178	165	125	99	19	3	215	180	4-Ø19
65		16	190	185	145	118	19	3	250	200	4-Ø19
80	3"	16	203	200	160	132	19	3	275	200	8-Ø19
100	4"	16	229	220	180	156	19	3	320	220	8-Ø19
125	5"	16	254	250	210	184	19	3	365	254	8-Ø19
150	6"	16	267	285	240	211	19	3	400	280	8-Ø23
200	8"	16 10	292	340	295	266	20	3	495	315	12-Ø23 8-Ø23
250	10"	16 10	330	405 395	355 350	319	22	3	590	406	12-Ø28 12-Ø23
300	12"	16 10	356	460 445	410 400	370	25	4	670	406	12-Ø28 12-Ø23
350	14"	16 10	381	520 505	470 460	429	27	4	OR	OR	16-Ø28 16-Ø23
400	16"	16 10	406	580 565	525 515	480	28	4	OR	OR	16-Ø31 16-Ø28
450	18"	16 10	432	640 615	585 565	548 530	30	4	OR	OR	20-Ø31 20-Ø28
500	20"	16 10	457	715 670	650 620	609 582	32	4	OR	OR	20-Ø34 20-Ø28
600	24"	16 10	508	840 780	770 725	720 682	36	5	OR	OR	20-Ø37 20-Ø31

NOMENCLATURE



Designation	Materials
1.Body	Ductile iron GGG50 epoxy coated
2.Disc	Ductile iron GGG50 with EPDM coating
3.Bonnet Gasket	NBR
4.Stem	Stainless steel 420
5.Bonnet	Ductile iron GGG50 epoxy coated
6.Trust washer	Brass CuZn39Pb1
7.Holding ring	Brass CuZn39Pb1
8.Trust nut	Brass CuZn39Pb1
9.Handwheel	Ductile iron GGG50 epoxy coated
10.Bolt	Stainless steel 304
11.Flat washer	Stainless steel 304
12.Dust cover	NBR
13.O-ring	NBR
14.O-ring	NBR
15.O-ring	NBR
16.Screw	Carbon steel galvanized
17.Stem nut	Brass CuZn39Pb1
18.Core	Ductile iron GGG50

