



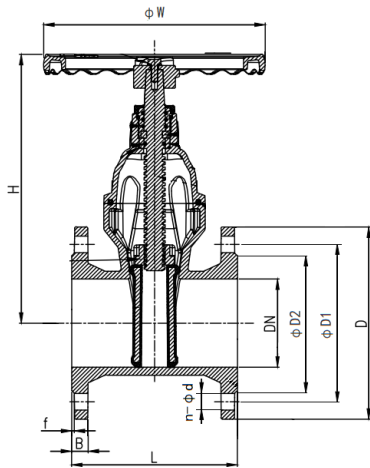
SPECIFICATIONS

DN mm	DN40 - DN300
DN inch	1"1/2 - 12"
Temperature	0°C to 80°C
Type of body	Double flanges
Application	Clear water, Fire protection, Irrigation, Sewage
Flange	PN 25
Valve Standard	EN 1171, EN 1074
Face to face	EN 558-1, DIN 3202 F4
Flange drilling	EN 1092-2
Tightness test	EN 12266-1
Epoxy coating	150µm (standard), other thickness on request
Options	Other specifications on request

ADVANTAGES

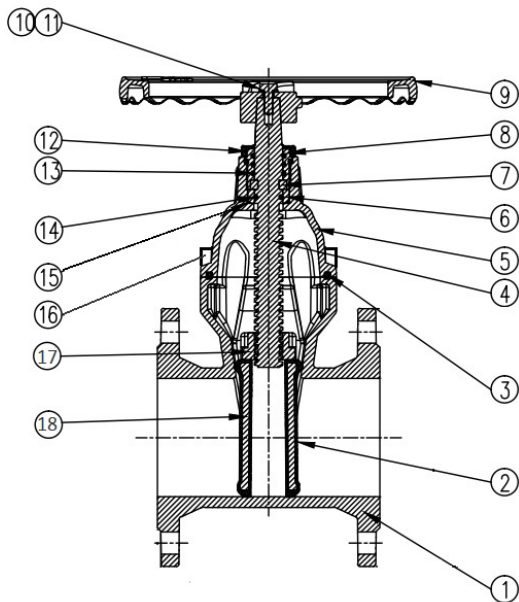
1. Excellent performance : low pressure drop and low torque.
2. Full bore design.
3. Wedge fully encapsulated in moulded EPDM.
4. Linear sealing design provides better sealing and lower closing torque.
5. Three independant stem seals offering triple safety : PTFE dust cover protects against dirt outside and a polyamid bearing with 3 NBR O-rings protects against galvanic corrosion.
6. Operation : valve could be operated by hand wheel/head cap/worm gear/electric actuator.

DIMENSIONS



DN mm	DN inch	PFA	L	ϕD	$\phi D1$	$\phi D2$	B	f	H	ϕW	n- ϕd
40		25	140	150	110	84	19	3	215	180	4- $\phi 19$
50	2"	25	150	165	125	99	19	3	215	180	4- $\phi 19$
65		25	170	185	145	118	19	3	250	200	8- $\phi 19$
80	3"	25	180	200	160	132	19	3	275	200	8- $\phi 19$
100	4"	25	190	235	190	156	19	3	320	220	8- $\phi 23$
125	5"	25	200	270	220	184	19	3	365	254	8- $\phi 28$
150	6"	25	210	300	250	211	20	3	400	280	8- $\phi 28$
200	8"	25	230	360	310	274	22	3	495	315	12- $\phi 28$
250	10"	25	250	425	370	330	25	3	590	406	12- $\phi 31$
300	12"	25	270	485	430	389	28	4	670	406	16- $\phi 31$

NOMENCLATURE



Designation	Materials
1.Body	Ductile iron GGG50 epoxy coated
2.Disc	Ductile iron GGG50 with EPDM coating
3.Bonnet Gasket	NBR
4.Stem	Stainless steel 420
5.Bonnet	Ductile iron GGG50 epoxy coated
6.Trust washer	Brass CuZn39Pb1
7.Holding ring	Brass CuZn39Pb1
8.Trust nut	Brass CuZn39Pb1
9.Handwheel	Ductile iron GGG50 epoxy coated
10.Bolt	Stainless steel 304
11.Flat washer	Stainless steel 304
12.Dust cover	NBR
13.O-ring	NBR
14.O-ring	NBR
15.O-ring	NBR
16.Screw	Carbon steel galvanized
17.Stem nut	Brass CuZn39Pb1
18.Core	Ductile iron GGG50

