



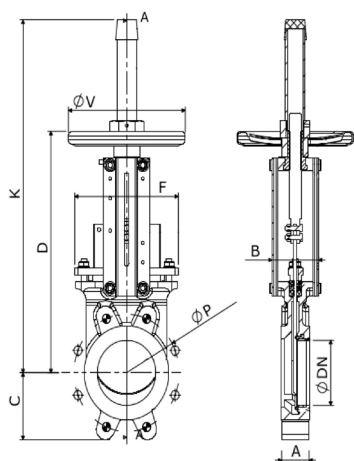
SPECIFICATIONS

DN mm	DN50 - DN1200
DN inch	2" - 48"
Temperature	EPDM -15°C to 120°C, NBR -10°C to 90°C
Type of body	Wafer
Application	Chemical plant, Pulp & paper, Waste water, Silo discharge, Pneumatic transport, Food industry, Mining, Water pumping, Power plant, Steel industry
Flange	PN 10
Flange drilling	EN 1092-2
Tightness test	EN 12266-1, DIN3230, MSS SP-81, ISO 5208
Epoxy coating	Epoxy powder, ISO 12944 CL 3
Options	Other specifications on request

ADVANTAGES

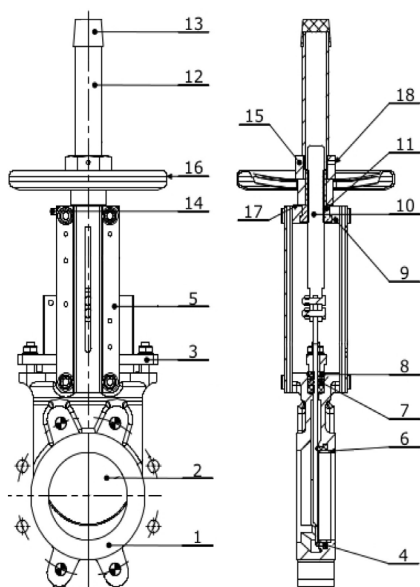
1. Unidirectional
2. ON/OFF or regulating
3. Wafer or lug according to international standards, ISO PN, ANSI, JIS, GB, GOST
4. Zero leakage with elastomer seat. Metal seat for high temperature application
5. Interchangeable seat materials (NBR/EPDM/FKM/PTFE)
6. Body material: GG25, GGG40, WCB, CF8, CF8M, SS316L, other materials upon request
7. All kinds of actuators possible: handwheel, lever, gear, pneumatic DA or SA, electric and hydraulic

DIMENSIONS



DN mm	DN inch	PFA	A	B	C	D	F	V	K	ØP	Body drilling
50	2"	10	40	92	63	289	124	200	410	125	4 x M16
65	2 1/2"	10	40	92	70	316	139	200	440	145	4 x M16
80	3"	10	50	92	92	342	154	200	460	160	4 x M16
100	4"	10	50	92	105	382	174	200	500	180	4 x M16
125	5"	10	50	102	120	415	192	250	585	210	4 x M16
150	6"	10	60	102	130	458	217	250	637	240	4 x M20
200	8"	10	60	120	160	575	270	300	815	295	4 x M20
250	10"	8	70	120	198	676	326	300	1016	350	6 x M20
300	12"	6	70	120	234	776	380	300	1116	400	6 x M20
350	14"	4	96	290	256	906	438	500	1336	460	10 x M20
400	16"	4	100	290	292	1012	493	500	1442	515	10 x M24
450	18"	3	106	290	308	1098	546	500	1628	565	14 x M24
500	20"	3	110	290	340	1210	620	500	1740	620	14 x M24
600	24"	3	110	290	400	1416	714	500	2046	725	14 x M27
700	28"	2	110	400	470	1650	830	800	2290	840	16 x M27
800	32"	2	110	400	505	1830	970	800	2680	950	16 x M30
900	36"	2	110	400	555	2075	1040	800	3020	1050	20 x M30
1000	40"	2	110	450	610	2260	1152	800	3400	1160	20 x M33
1200	48"	2	150	450	725	2460	1255	800	3980	1380	20 x M36

NOMENCLATURE



Designation	Materials
1.Body	Cast iron GG25
2.Gate	Stainless steel 304
3.Gland	Ductile iron
4.Seat	EPDM
5.Support	Steel
6.Retainer	Stainless steel 304
7.O-Ring	EPDM
8.Tresse paking	PTFE
9.Yoke	Steel
10.Stem	Stainless steel 304
11.Stem nut	Bronze
12.Hood	Steel
13.Hood cover	Plastic
14.Grease nipple	Steel
15.Handwheel screw	Steel
16.Handwheel	Steel
17.Gasket	Brass
18.Screw	Stainless steel 304

