



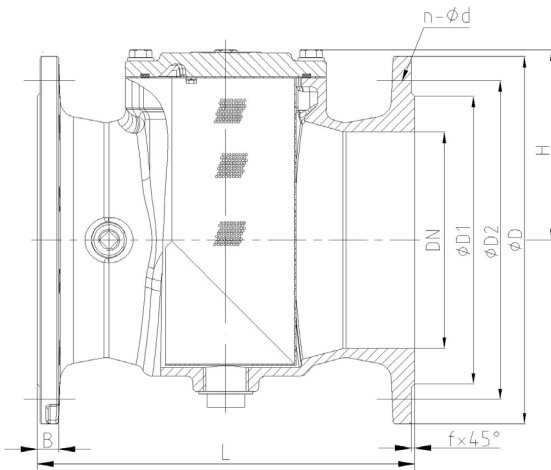
### SPECIFICATIONS

DN mm	DN50 - DN400
DN inch	2" - 16"
Temperature	0°C to 80°C
Type of body	Flange
Application	Water
Flange	PN10, PN16
Options	Other specifications on request

### ADVANTAGES

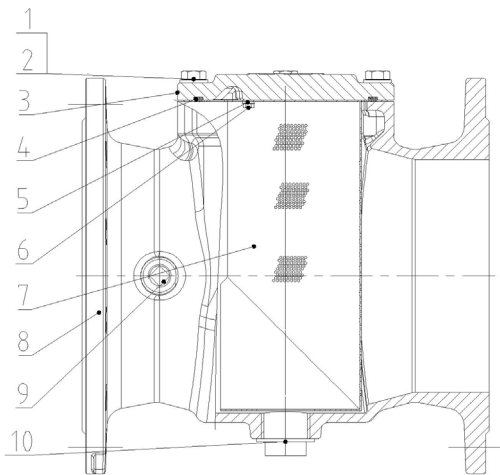
1. Equipped with a purge for easy maintenance
2. Stainless steel 304 screen, possible to customize the mesh
3. Horizontal or vertical installation

## DIMENSIONS



DN mm	DN inch	PFA	L	ØD	ØD1	ØD2	H	B	f	n-Ød
50	2"	16	200	165	125	99	97	19	3	4-Ø19
65	2 1/2"	16	215	185	145	118	105	19	3	4-Ø19
80	3"	16	230	200	160	132	112	19	3	8-Ø19
100	4"	16	250	220	180	156	124	19	3	8-Ø19
125	5"	16	275	250	210	184	130	19	3	8-Ø19
150	6"	16	300	285	240	211	143	19	3	8-Ø23
200	8"	16	350	340	295	266	175	20	3	12-Ø23
		10								8-Ø23
250	10"	16	400	405	355	319	210	22	3	12-Ø28
		10		395	350					12-Ø23
300	12"	16	425	460	410	370	250	25	4	12-Ø28
		10		445	400					12-Ø23
350	14"	16	475	520	470	429	285	27	4	16-Ø28
		10		505	460					16-Ø23
400	16"	16	525	580	525	480	332	28	4	16-Ø31
		10		565	515					16-Ø28

## NOMENCLATURE



Designation	Materials
1. Bolt	Stainless Steel 304
2. Washer	Stainless Steel 304
3. Bonnet	Ductile iron GGG50
4. Gasket	NBR
5. Washer grower	Carbon steel
6. Bolt	Stainless Steel 304
7. Screen	Stainless Steel 304
8. Body	Ductile iron GGG50
9. Plug	Carbon steel
10. Plug	Brass

