

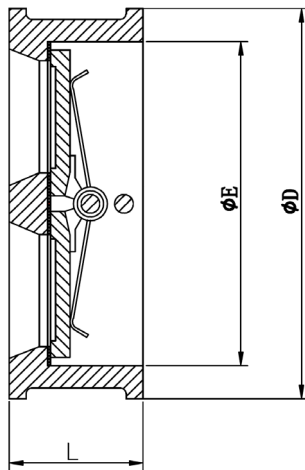
SPECIFICATIONS

DN mm	DN40 - DN700
DN inch	1"1/2 - 28"
Temperature	EPDM -10°C to 120°C
Type of body	Wafer
Application	Water, General industry, Production processes
Flange	PN 10, PN 10/16, PN 16
Options	Other specifications on request

ADVANTAGES

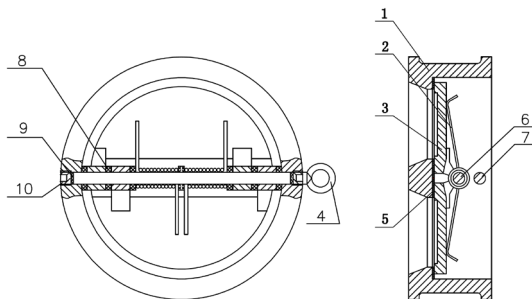
1. Compact design and space saving
2. Vulcanized seal on the valve seat to ensure water tightness
3. Excellent hydraulic performance
4. Little energy loss
5. The stainless steel spring pushes against the two plates, to maintain pressure on the valve seat seal
6. Gradual opening controlled by double contact spring
7. Horizontal or Vertical installation, facing upward

DIMENSIONS



DN mm	DN inch	PFA	L	øE	øD
40	1"1/2	16	43	65	92
50	2"	16	43	65	107
65	2"1/2	16	46	80	127
80	3"	16	64	94	142
100	4"	16	64	117	162
125	5"	16	70	145	192
150	6"	16	76	170	218
200	8"	16	89	224	273
250	10"	16	114	265	329
		10			328
300	12"	16	114	312	384
		10			378
350	14"	16	127	360	446
		10			438
400	16"	16	140	410	498
		10			489
450	18"	16	152	450	550
		10			532
500	20"	16	152	500	610
		10			585
600	24"	16	178	624	720
		10			690
700	28"	16	229	720	800
		10			

NOMENCLATURE



Designation	Materials
1.Body	Ductile Iron epoxy coated
2.Spring	Stainless Steel
3.Disc	Stainless steel 304
4.Ring	Steel
5.Seat	EPDM
6.Shaft	Stainless Steel 304
7.Shaft	Stainless Steel 304
8.Gasket	PTFE
9.Gasket	NBR
10.Stub screw	Steel



