

SPECIFICATIONS

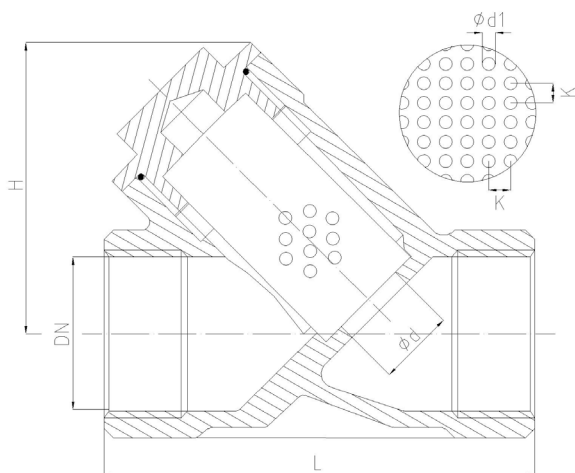
DN mm	DN10 - DN100
DN inch	1/4" - 4"
Temperature	-25°C to 180°C
Type of body	F/F
Application	Waste water, Water supply, Water distribution, Pumping,
Threaded	BSP
Options	Other specifications on request



ADVANTAGES

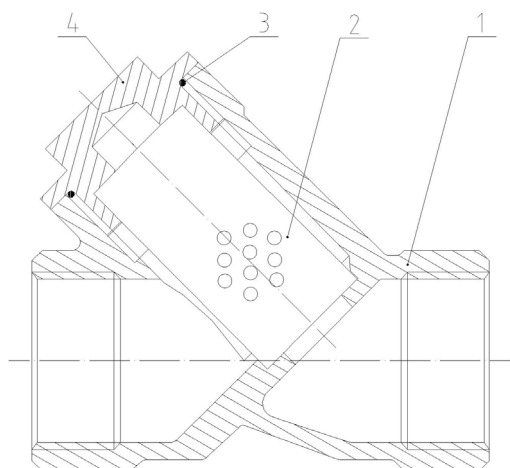
1. Stainless steel 304 mesh, possible to customize the mesh
2. Horizontal or vertical installation

DIMENSIONS



DN mm	DN inch	PFA	L	H	Ød	Ød1	K
10	1/4"	55	64	43	10	1	2
12	3/8"	55	64	43	12	1	2
15	1/2"	55	64	45	15	1	2
20	3/4"	55	80	52	20	1	2
25	1"	55	90	68	25	1	2
32	1"1/4	55	106	70	32	1	2
40	1"1/2	55	119	80	38	1	2
50	2"	55	140	98	50	1	2
65	2"1/2	55	167	117	61	1	2
80	3"	55	198	137	75	1	2
100	4"	55	238	163	94	1	2

NOMENCLATURE



Designation	Materials
1.Body	Stainless Steel 316
2.Screen	Stainless Steel 316
3.Gasket	PTFE
4.Bonnet	Stainless Steel 316

PRESSURE / TEMPERATURE CURVE

