

SPECIFICATIONS

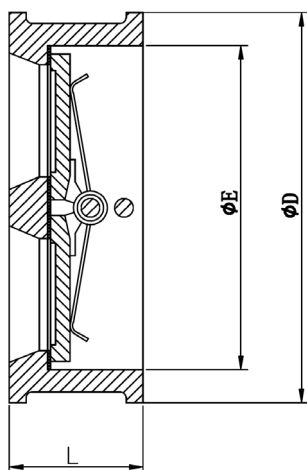
DN mm	DN50 - DN300
DN inch	2" - 12"
Temperature	FKM -20°C to 180°C
Type of body	Wafer
Application	Water, General industry, Production processes, Hydrocarbons
Flange	PN 25
Options	Other specifications on request



ADVANTAGES

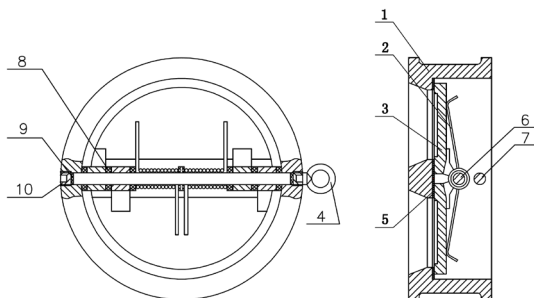
1. Compact design and space saving
2. Vulcanized seal on the valve seat to ensure water tightness
3. Excellent hydraulic performance
4. Little energy loss
5. The stainless steel spring pushes against the two plates, to maintain pressure on the valve seat seal
6. Gradual opening controlled by double contact spring
7. Horizontal or Vertical installation, facing upward

DIMENSIONS



DN mm	DN inch	PFA	L	øE	øD
50	2"	25	54	65	101
65	2"1/2	25	54	80	120
80	3"	25	57	94	133
100	4"	25	64	117	162
125	5"	25	70	145	192
150	6"	25	76	170	218
200	8"	25	95	224	273
250	10"	25	108	265	329
300	12"	25	143	312	384

NOMENCLATURE



Designation	Materials
1.Body	Stainless Steel 316
2.Spring	Stainless Steel
3.Disc	Stainless steel 316
4.Ring	Steel
5.Seat	FKM
6.Shaft	Stainless Steel 316
7.Shaft	Stainless Steel 316
8.Gasket	PTFE
9.Gasket	FKM
10.Stub screw	Steel

HEADLOSS

