



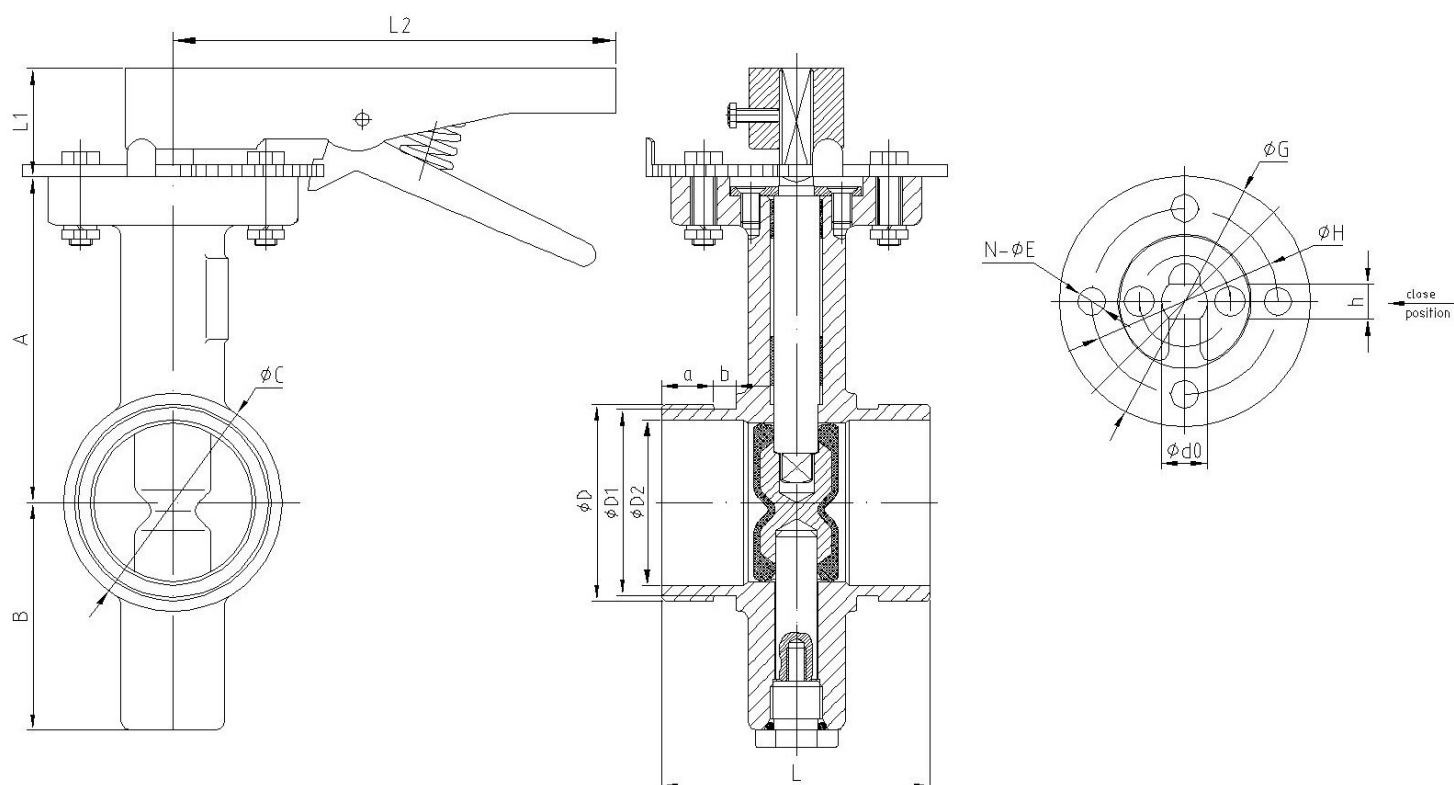
### SPECIFICATIONS

DN mm	DN 50 - 300
DN inch	2" - 12"
Liner	EPDM
Temperature	EPDM -15°C to 110°C
Type of body	Grooved end
Application	EPDM : Hot water, Cold water, HVAC
Pressure	16 bars
Valve Standard	ANSI/AWWA C606-97
Face to face	MSS SP-67
Tightness test of shell	According to API 598
Options	Other specifications on request

### ADVANTAGES

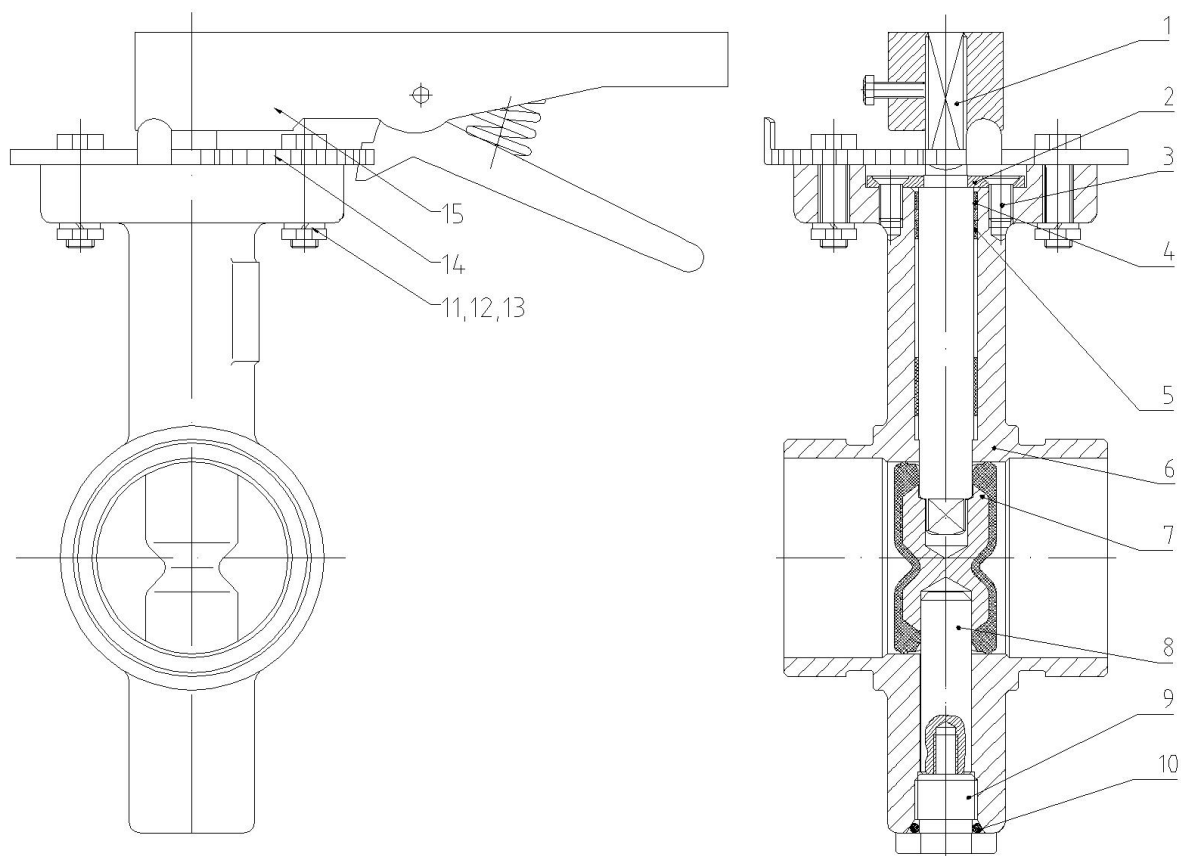
1. Omeax Z600 butterfly guarantee perfect tightness thanks to precise machining of disc and shaft.
2. Ideal solution for quick piping assembly.

## DIMENSIONS



DN mm	DN inch	PFA	A	B	ØC	L	ØD	ØG	ØH	N-ØE	L1	a	b	ØD1	ØD2	L2	Ød0	h
50	2"	16	100	70	67	82	60	77	57	4 - Ø7	28	16	8	57	51	270	13	9
65	2 1/2"	16	106	75	80	97	73	77	57	4 - Ø7	28	16	8	69	64	270	13	9
80	3"	16	113	82	97	97	89	77	57	4 - Ø7	28	16	8	85	76	270	13	9
100	4"	16	135	100	123	116	114	92	70	4 - Ø10	28	16	10	110	100	270	16	11
125	5"	16	149	119	151	148	141	92	70	4 - Ø10	28	16	10	137	128	270	19	13
150	6"	16	176	130	180	148	168	92	70	4 - Ø10	28	16	10	164	152	270	19	13
200	8"	16	204	162	231	133	219	115	89	4 - Ø14	38	19	11	214	203	360	22	16
250	10"	16	228	200	284	159	273	115	89	4 - Ø14	40	19	13	268	253	500	28	21
300	12"	16	266	224	335	164	324	140	108	4 - Ø14	40	19	13	318	303	500	32	22





Designation	Materials
<b>1.Upper stem</b>	Stainless steel 416
<b>2.Stop cover</b>	Steel
<b>3.Bolt</b>	Steel
<b>4.Bushing</b>	PTFE
<b>5.O-ring</b>	NBR
<b>6.Body</b>	Ductile iron
<b>7.Disc</b>	Ductile iron coated EPDM
<b>8.Lower stem</b>	Stainless steel 416
<b>9.Screw end</b>	Carbon steel
<b>10.O-ring</b>	NBR
<b>11.Bolts</b>	Steel
<b>12.Spring spacer</b>	Steel
<b>13.Nut</b>	Steel
<b>14.Latch plate</b>	Steel
<b>15.Handle</b>	Ductile iron