



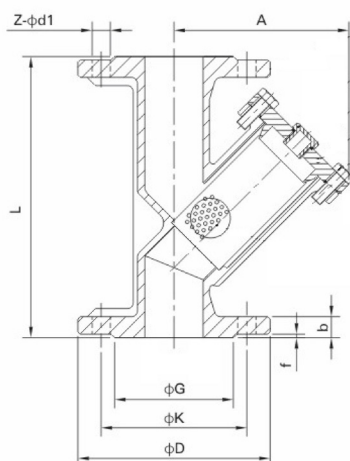
SPECIFICATIONS

DN mm	DN15 - DN200
DN inch	1/2" - 8"
Temperature	-25°C to 180°C
Type of body	Flange
Application	Waste water, Water supply, Water distribution, Pumping,
Flange	PN 10, PN 16
Face to face	EN 558-1
Options	Other specifications on request

ADVANTAGES

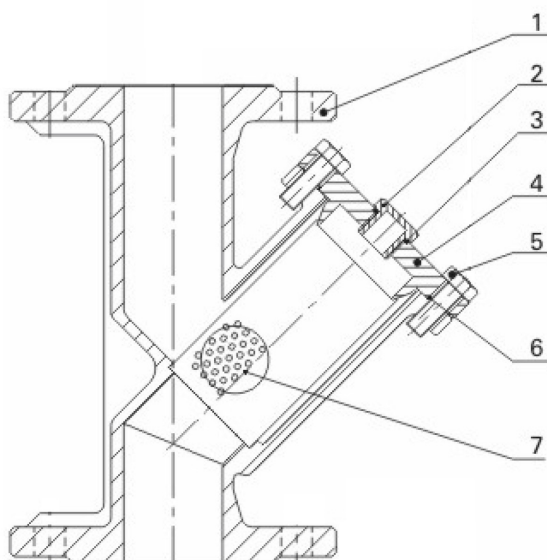
1. Equipped with a purge for easy maintenance
2. Stainless steel 304 screen, possible to customize the mesh
3. Horizontal or vertical installation

DIMENSIONS



SIZE	d	G	K	D	L	A	b	f	D1	L1	W	d2	z-φd1	Kgs
DN15	15	45	65	95	130	75	14	2	22	58	2	1	4-φ14	1.79
DN20	20	58	75	105	150	90	16	2	26	65	2	1	4-φ14	2.57
DN25	25	68	85	115	160	100	16	2	32	72	2	1	4-φ14	3.60
DN32	32	78	100	140	180	115	16	2	37	83	2	1	4-φ18	4.72
DN40	40	88	110	150	200	130	16	3	47	95	2	1	4-φ18	6.02
DN50	50	102	125	165	230	150	18	3	57	114	2	1	4-φ18	9.00
DN65	65	122	145	185	290	190	18	3	69	152	3.5	2	4-φ18	12.81
DN80	80	138	160	200	310	225	20	3	84	176	3.5	2	8-φ18	17.36
DN100	100	158	180	220	350	230	20	3	105	180	3.5	2	8-φ18	20.03
DN125	125	188	210	250	400	280	22	3	134	217.5	3.5	2	8-φ18	30.00
DN150	150	212	240	285	480	300	22	3	164	216	3.5	2	8-φ22	40.50
DN200	200	268	295	340	605	400	24	3	218	282.5	3.5	2	12-φ22	76.90

NOMENCLATURE



Designation	Materials
1.Body	Stainless Steel 316
2.Blow off plug	Stainless Steel 316
3.Gasket	PTFE
4.Cap	Stainless Steel 316
5.Bolt	Stainless Steel 304
6.Gasket	PTFE
7.Screen	Stainless Steel 316

