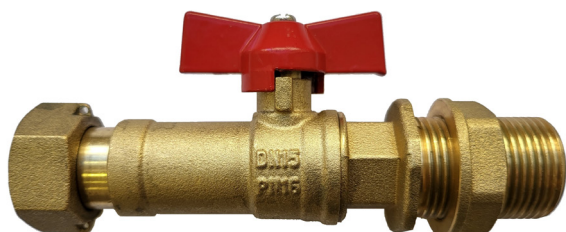


SPECIFICATIONS

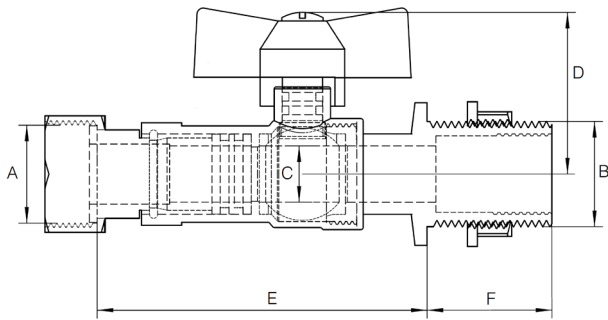
DN mm	DN15 - DN25
DN inch	1/2" - 1"
Temperature	0 to 50°C
Type of body	F/M
Application	Water services, Industrial, Household
Connection	Threaded ISO 228-1 BSP (equivalent to DIN 259 and BS 2779)
Test	EN 12266-1
Options	Other specifications on request



ADVANTAGES

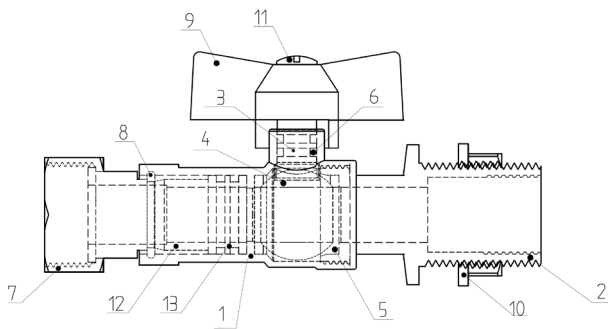
1. Adjustable length
2. Sealable for water meters
3. Strong design

DIMENSIONS



DN mm	DN inch	PFA	A	B	C	D	E	F	Weight (Kg)
15	1/2"	16	3/4"	G 3/4"	14	40	86 - 102	34	0.36
20	3/4"	16	1"	G 1"	19	43	117 - 138	40	0.65
25	1"	16	OR	OR	OR	OR	OR	OR	OR

NOMENCLATURE



Designation	Materials
1.Body	Brass-CW617N
2.Bonnet	Brass-CW617N
3.Stem	Brass-CW617N
4.Ball	Brass-CW617N
5.Seat	PTFE
6.O-ring	EPDM
7.Swivel nut	Brass-CW617N
8.Clip ring	Stainless steel
9.Handle	Aluminium
10.Cap	Brass-CW617N
11.M4 screw	Stainless steel
12.Expansion joint	Brass-CW617N
13.O-ring	EPDM

