

SPECIFICATIONS

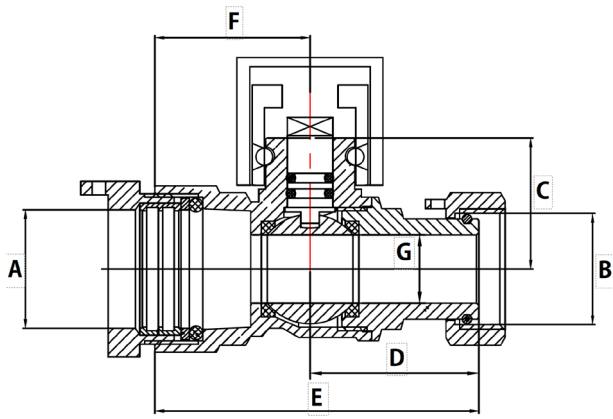
DN mm	DN15 - DN25
DN inch	1/2" - 1"
Temperature	0 to 50°C
Type of body	F/F
Application	Water services, Industrial, Household
Connection	Threaded ISO 228-1 BSP (equivalent to DIN 259 and BS 2779)
Test	EN 12266-1
Options	Other specifications on request



ADVANTAGES

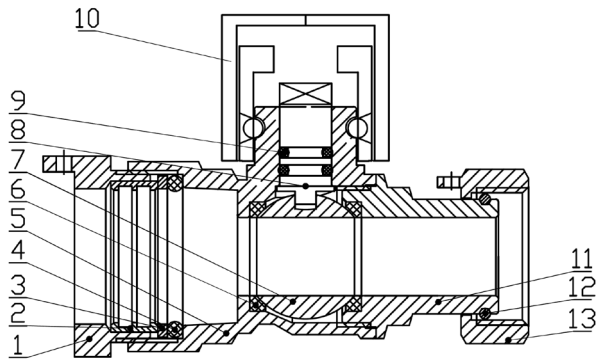
1. Magnetic anti-break-in system
2. Sealable for water meters
3. Strong design

DIMENSIONS



DN mm	DN inch	PFA	A	B	C	D	E	F	G	Weight (Kg)
15	1/2"	16	25	G 3/4"	29	37	71	34	15	0.38
20	3/4"	16	32	G 1"	32	43	90	47	19	0.6
25	1"	16	OR	OR	OR	OR	OR	OR	OR	OR

NOMENCLATURE



Designation	Materials
1.Nut	Brass-CW617N
2.Ring	Brass-CW617N
3.Washer	Brass-CW617N
4.O-ring	NBR
5.Body	Brass-CW617N
6.Ball seat	PTFE
7.Ball	Brass-CW617N
8.Stem	Brass-CW617N
9.O-ring	NBR
10.Handle	Brass-CW617N
11.Bonnet	Brass-CW617N
12.Ring	Steel
13.Nut	Brass-CW617N

