



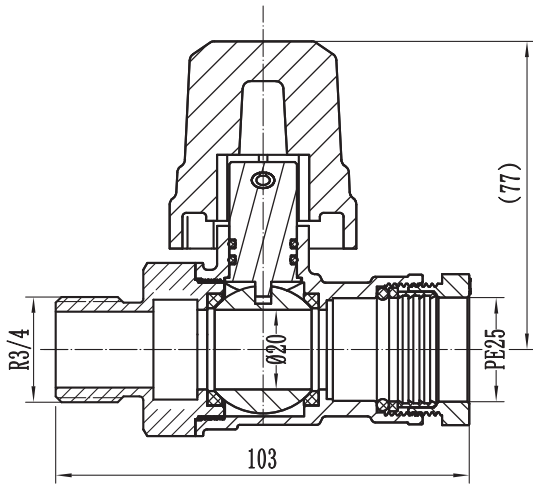
### SPECIFICATIONS

DN mm	DN20 - DN40
DN inch	3/4" - 1"1/2
Temperature	0 to 50°C
Type of body	Brass CW617N
Application	Water services, Water distribution
Connection	Threaded ISO 7/ HDPE
Test	EN 12266-1
Options	Other specifications on request

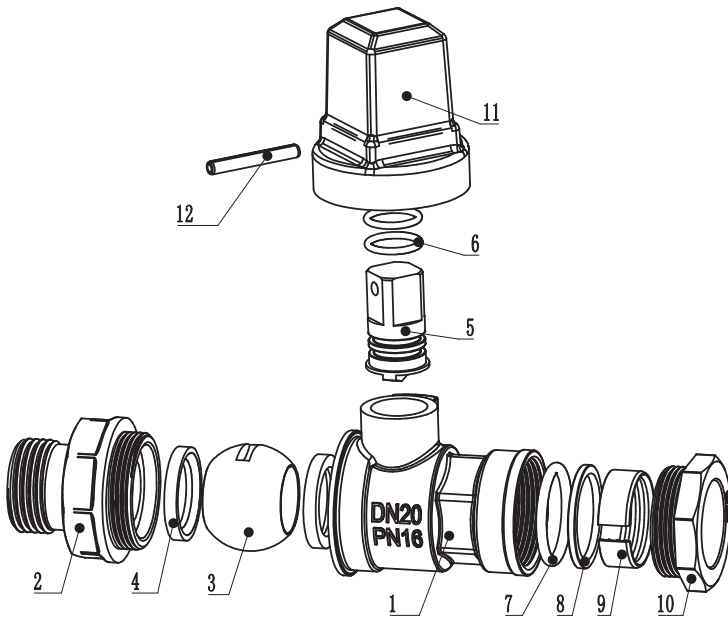
### ADVANTAGES

**For paddle clamp.**  
**Small or big boss.**  
**Fittings are included.**

## DIMENSIONS



## NOMENCLATURE



	Designation	Materials
1	Body	CW617N
2	Bonnet	CW617N
3	Ball	CW617N
4	Seat	PTEF
5	Stem	CW617N
6	O-ring	NBR
7	O-ring	NBR
8	Washer	CW617N
9	Grip ring	H62
10	PE nut	CW617N
11	Handle	Cast iron
12	Pin	SS

