

OMEAX

OMEAX

OMEAX – France :
1 rue Dewet
F-71100 Chalon-sur-Saone
FRANCE
Tel: +33 385 970 981
<https://omeax.com/>
contact@omeax.com

EOH Series>>>

Clutch Manual Override Quarter Turn Electric Actuator

For butterfly valve, ball valve, plug valve, and other quarter turn valve applications

Long Life

Over 20000 times duty cycle

Safe Design

Patented manual override design, prevents motorized hand wheel rotation

Service

2 years warranty
7 days factory lead time
8 hours service feedback



-Contents

●	Product Profile	02
●	Product Features	03
●	Technical Specification	04-05
●	Product Dimension	06-07
●	Wiring Diagram	07-08
●	Quality & Services	09

Valve duty cycle life

20,000 times

Long Life

Safe Design

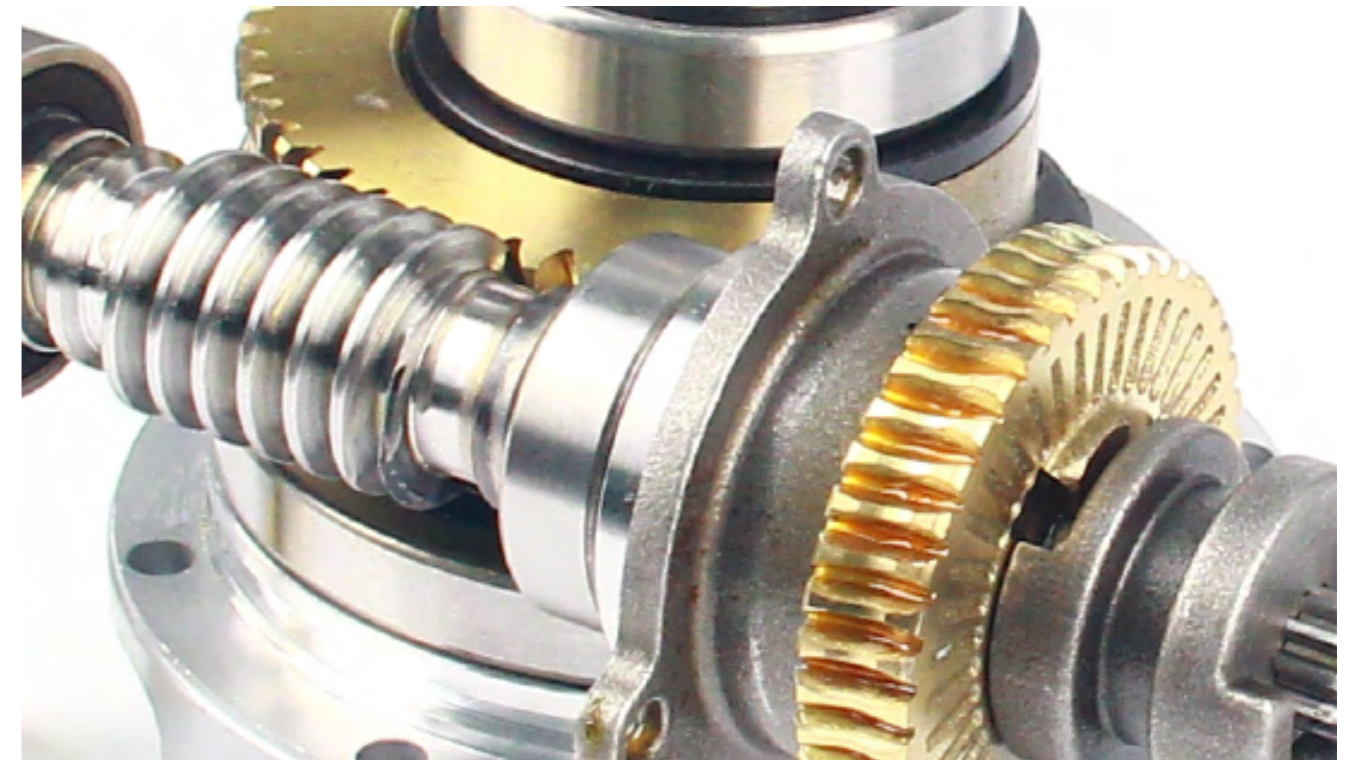
Clutch system
Patented manual override design, prevents motorized hand wheel rotation

2 years warranty

7 days factory lead time

8 hours service feedback

Service



Product Profile

EOH series adopt lightweight, high torque output, can output torque range of 35-5000N.m. Control mode is mainly divided into two types: on/off type and modulating type; According to the different requirements of the site working conditions, it is mainly divided into Basic type; Mechatronics type; Integrated type; Intelligent type, widely used in buildings, water treatment, light industry and other fields, serialized product design can provide users with one-stop solutions to meet the needs of different users.



Product Feature

- 1 Limit Function**
Integrated circuit board + double CAM design
- 2 Operational Safety**
Class H motor, with thermal protector up to 150°C (>100N.m)
- 3 Over Torque Protection**
150N.m and above are equipped with Torque protection device
- 4 Manual Override**
Patented worm gear clutch design to prevent motorized hand wheel rotation.(>100N.m)
- 5 Reliable Sealing**
Adopt long lasting O shape sealing ring ,effectively ensure water-proof grade
- 6 Worm gear and worm**
Two-stage Archimedes worm gear with higher bearing than helical gear design.Provides better loading and force efficiency.
- 7 Indicator**
3D indicator for observing valve travel position from all angles
- 8 Packaging design**
Pearl cotton protection, complies to ISO2248 drop test.

Product Classification

Basic Type (B) / Integral Type (M)

- Torque Range: 35-5000N.m
- Voltage: 1 Phase: AC110V/AC220V±10%; 3 Phase AC380V±10% (only basic type), 50Hz/60Hz±5%; AC/DC24V
- Working System: On/Off type: S2-15min; Modulating type: S4-25%
- Electrical Interface: 2*PG13.5 (<100N.m); 2*PG16 (≥100N.m)
- Motor Specifications: Class H (≥100N.m)
- Indication: 3D open indicator
- Ingress Protection: IP67, Optional: IP68



Note: Single-phase voltage: Working System: On/off type: S2-10min (above EOH100)

Mechatronics Type (S4/S5)

- Torque Range: 100-5000N.m
- Voltage: 1 Phase: AC110V/AC220V±10% (S4); 3 Phase AC380V±10%, 50Hz/60Hz±5%; AC/DC24V
- Working System: On/Off type: S2-15min; Modulating type: S4-25%
- Electrical Interface: 2*PG16
- Motor Specifications: Class H
- Indication: 3D open indicator / LED screen opening indicator
- Ingress Protection: IP67, Optional: IP68(S5)



▲ 1 Phase-S4



◀ 3 Phase/DC-S5

Intelligent Type (S)

- Torque Range: 100-5000N.m
- Voltage: 1 Phase: AC110V/AC220V±10%; 3 Phase AC380V±10%, 50Hz/60Hz±5%; AC/DC24V
- Working System: On/Off type: S2-15min; Modulating type: S4-25%
- Electrical Interface: 2*NPT3/4", 1*NPT1"
- Motor Specifications: Class H
- Indication: 3D open indicator / LCD display
- Ingress Protection: IP67, Optional: IP68
- Torque setting: Support torque configuration and percentage display



Product Classification

Integrated Type (I)

- Torque Range: 100-5000N.m
- Voltage: 1 Phase: AC110V/AC220V±10%; 3 Phase AC380V±10%, 50Hz/60Hz±5%; AC/DC24V
- Working System: On/Off type: S2-15min; Modulating type: S4-25%
- Electrical Interface: 2*NPT3/4"
- Motor Specifications: Class H
- Indication: 3D open indicator / LCD display
- Ingress Protection: IP67, Optional: IP68



Technical Specification

		Basic Type (B)	Integral Type (M)	Mechatronics Type (S4/S5)	Intelligent Type (I)	Integrated Type (S)
Control Mode	On/off Type	✓	✓	✓	✓	✓
	Modulating Type	—	✓	✓	✓	✓
Ingress Protection	IP67, Optional:IP68*	✓	✓	✓	✓	✓
Indication	3D open indicator	✓	✓	✓	✓	✓
	On/Off/Remote control/Fault signal indicator	—	—	✓	✓	✓
	LCD digital display of the opening percentage	—	—	—	✓	✓
	LCD torque display percentage	—	—	—	—	✓
human-computer interaction	Local control	—	—	✓	✓	✓
	Infrared remote control	—	—	—	✓	✓
Protection function	Torque protection	✓	✓	✓	✓	✓
	Motor overheat protection	✓	✓	✓	✓	✓
	Jammed valve protection	—	✓	✓	✓	✓
	Broken signal protection	—	✓	✓	✓	✓
	Instantaneous	—	✓	✓	✓	✓
	Open Phase protection (3-phase only)	—	—	✓	✓	✓
	Phase correctio(3-phase only)	—	—	✓	✓	✓
	Non-invasive protection	—	—	✓	✓	✓
	Data records	—	—	—	✓	✓
	Password protection	—	—	—	✓	✓
	Heat protection	✓	✓	✓	✓	✓
Feedback signal	On/off travel limit; On/off torque switch; Position feedback potentiometer	✓	✓	✓	—	—
	1 group of comprehensive fault points; 5 groups of configurable contacts (contact capacity 5A@250Vac)	—	—	—	✓	✓
	Extended configurable relay feedback contacts (Contact capacity 5A@250Vac)	—	—	—	—	✓
Control signal	Switching control	✓	✓	✓	✓	✓
	Analog control	—	✓	✓	✓	✓
	Modbus, Profibus	—	—	—	✓	✓

The definiton of IP68: Depth of water: Maximum 7m under water level. Duration of continous immersion in water: Max.(72 hours).

Technical Specification

Type	Power (W)	Max output torque (N.m)	Running time (Sec) (50Hz)			Rated Current(A)				Handwheel Number of turns	ISO5211	Stem height (mm)	Weight (kg)	Remark
			AC110V AC220V	AC380V	AC/DC 24V	AC110V	AC220V	AC380V	AC/DC 24V					
EOH03	6	35	11	—	8	0.36	0.24	—	1.20	7	F03/F05/F07	□11x11 □14x14	≤20	Wrench operation
EOH05	6	50	15	—	10	0.36	0.24	—	1.20	7	F03/F05/F07	□11x11 □14x14	≤20	Handwheel operation
EOH03-H	10	35	14	—	14	0.36	0.24	—	1.20	18	F03/F05/F07	□11x11 □14x14	≤20	
EOH05-H	10	50	19	—	19	0.36	0.24	—	1.20	18		□14x14		
EOH08-H	10	80	28	—	28	0.36	0.24	—	1.20	36		□14x14		
EOH10	25	100	20	—	15	1.50	0.72	0.25	4.20	10	F05/F07	□17x17	≤32	
EOH15	40	150	26	—	20	1.70	0.80	0.35	8.80	14				
EOH20	50	200	26	—	20	2.10	0.98	0.40	10.0	14	F07/F10	□22x22	≤44	
EOH26	60	260	26	—	20	2.40	1.05	0.45	11.0	14				
EOH35	90	350	25	—	19	3.00	1.32	0.60	13.0	13				
EOH50	120	500	24	—	19	4.70	1.55	0.75	15.0	13	F10/F12	□27x27	≤44	
EOH60	150	600	24	—	—	4.70	1.71	1.15	—	13				
EOH80	180	800	29	—	—	5.00	1.83	1.55	—	16				
EOH100	200	1000	29	—	—	5.60	2.10	1.55	—	16	F12/F14	□36x36	≤50	Hand/ Electric switching device,
EOH150	180	1500	61	—	—	5.60	2.10	1.55	—	16				Handwheel operation
EOH200	200	2000	65	—	—	5.60	2.10	1.55	—	34				
EOH250	200	2500	136	—	—	5.60	2.10	1.55	—	34	F14/F16	□36x36 □46x46	≤85	
EOH300	180	3000	136	—	—	5.60	2.10	1.55	—	34				
EOH400	200	4000	183	—	—	5.60	2.10	1.55	—	52				
EOH500	200	5000	183	—	—	5.60	2.10	1.55	—	52	F25	□46x46 □55x55	≤130	

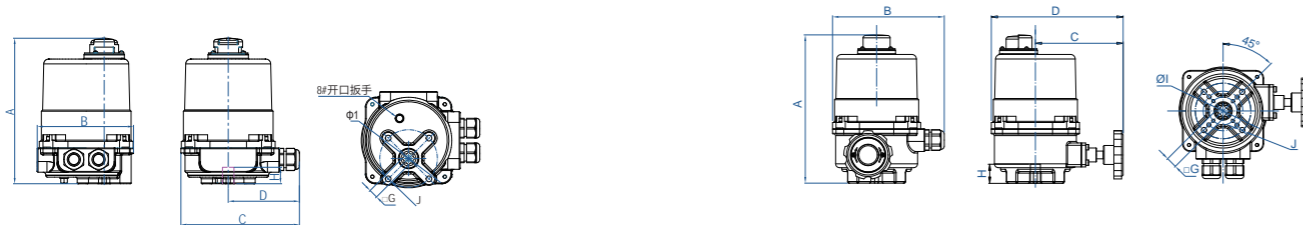
- Note:
- 1.Product factory standard configuration.
 - 2.Rated torque is 75% of the max torque.
 - 3.The running time above is 50Hz, the running time of 60Hz is 5/6 of that of 50Hz. The max output torque is the same as above.
 - 4.If the stem height of the valve is larger than the above size , please contact sales staff for customization.



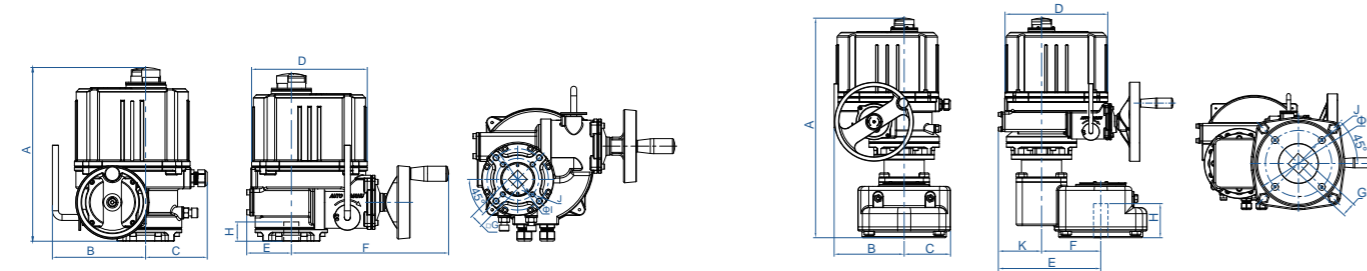
Basic type/Integral type
Product Dimension

Mechatronics type
Product Dimension

EOH03/05 EOH03/05-H~EOH08



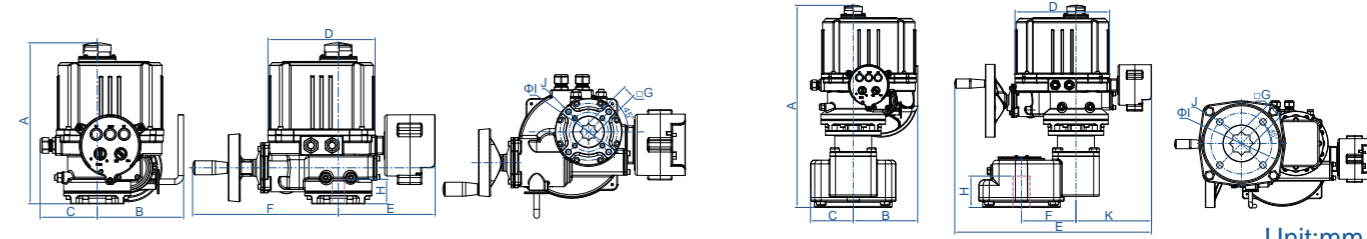
EOH10-150 EOH200-500



Type	A*	B*	C*	D*	E*	F*	G	H	ΦI	J	K*	Weight(kg)
EOH03 EOH05	On/Off 157 Modulating 177	117	144	87	—	—	11x11 14x14	20	36 50 70	4-M5 4-M6 4-M8	—	3
EOH03-H EOH05-H EOH08-H	On/Off 182 Modulating 202	145	112	170	—	—	11x11 14x14	20	36 50 70	4-M5 4-M6 4-M8	—	3
EOH10	258	118	96	164	54	252	17x17	32	50 70	4-M6 4-M8	—	9
EOH15	288	155	102	192	74	261	22x22	44	70 102	4-M8 4-M10	—	11.5
EOH20												
EOH26												
EOH35	324	162	112	225	83	276	27x27	44	102 125	4-M10 4-M12	—	14
EOH50												
EOH60												
EOH80	357	175	115	256	108	328	36x36	50	125 140	4-M12 4-M16	—	24
EOH100												
EOH150												
EOH200	547	175	115	256	255	148	36X36 46X46	85	140 165	4-M16 4-M20	108	64
EOH250												
EOH300												
EOH400	560	175	160	256	290	160	46X46 55X55	130	254	8-M16	108	95
EOH500												

Note: The tolerance of the above dimension with *** is±3mm

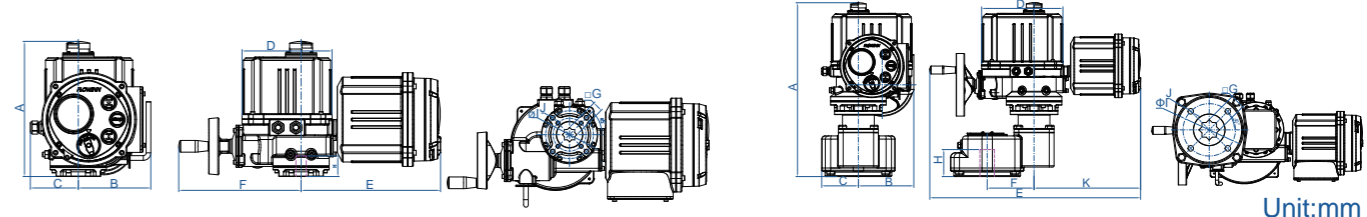
S4(EOH10-150) S4(EOH200-500)



Type	A*	B*	C*	D*	E*	F*	G	H	ΦI	J	K*	Weight(kg)
EOH10	258	118	96	164	158	252	11x11/14x14 17x17	32	50 70	4-M6 4-M8	—	10
EOH15	288	155	102	192	174	261	14x14 17x17 19x19 22x22	44	70 102	4-M8 4-M10	—	12.5
EOH20												
EOH26												
EOH35	324	162	112	225	184	276	19x19 22x22 27x27	44	102 125	4-M10 4-M12	—	15
EOH50												
EOH60												
EOH80	357	175	115	256	205	328	27x27 36x36	50	125 140	4-M12 4-M16	—	25
EOH100												
EOH150												
EOH200	547	175	116	256	533	148	36X36 46X46	85	140 165	4-M16 4-M20	205	65
EOH250												
EOH300												
EOH400	560	175	160	256	547	183	46X46 55X55	130	254	8-M16	205	96
EOH500												

Note: The tolerance of the above dimension with *** is±3mm

S5(EOH10-150) S5(EOH200-500)



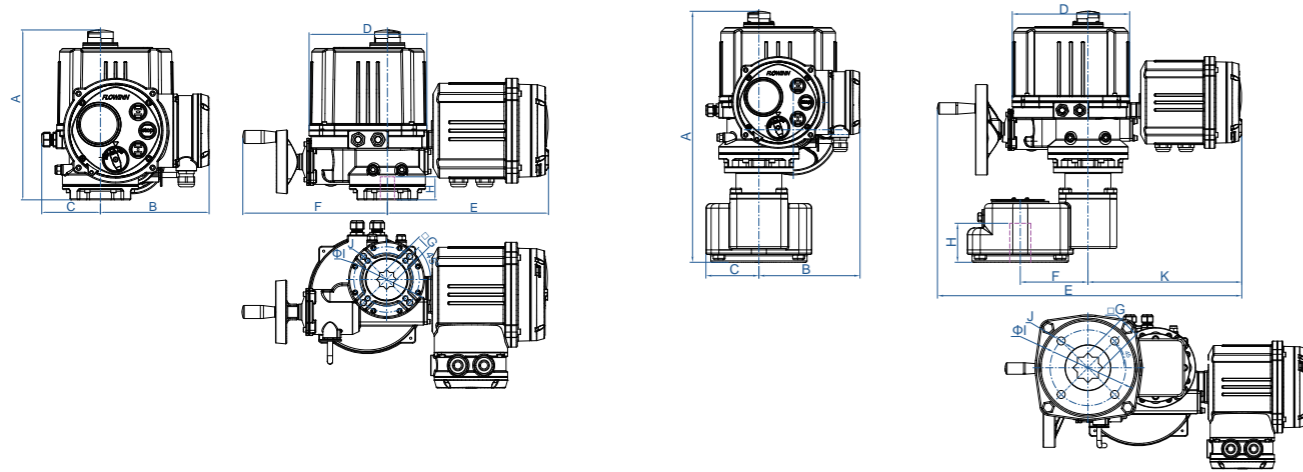
Type	A*	B*	C*	D*	E*	F*	G	H	ΦI	J	K*	Weight(kg)
EOH10	258	136	96	164	295	252	11x11/14x14 17x17	32	50 70	4-M6 4-M8	—	13
EOH15	288	155	103	192	298	261	14x14 17x17 19x19 22x22	44	70 102	4-M8 4-M10	—	15.5
EOH20												
EOH26												
EOH35	325	162	112	225	308	276	19x19 22x22 27x27	44	102 125	4-M10 4-M12	—	18
EOH50												
EOH60												
EOH80	357	175	115	256	336	329	27x27 36x36	50	125 140	4-M12 4-M16	—	28
EOH100												
EOH150												
EOH200	547	175	116	256	664	148	36X36 46X46	85	140 165	4-M16 4-M20	336	68
EOH250												
EOH300												
EOH400	560	175	160	256	678	183	46X46 55X55	130	254	8-M16	336	99
EOH500												

Note: The tolerance of the above dimension with *** is±3mm

Integrated type

Product Dimension

EOH10-150 EOH200-500



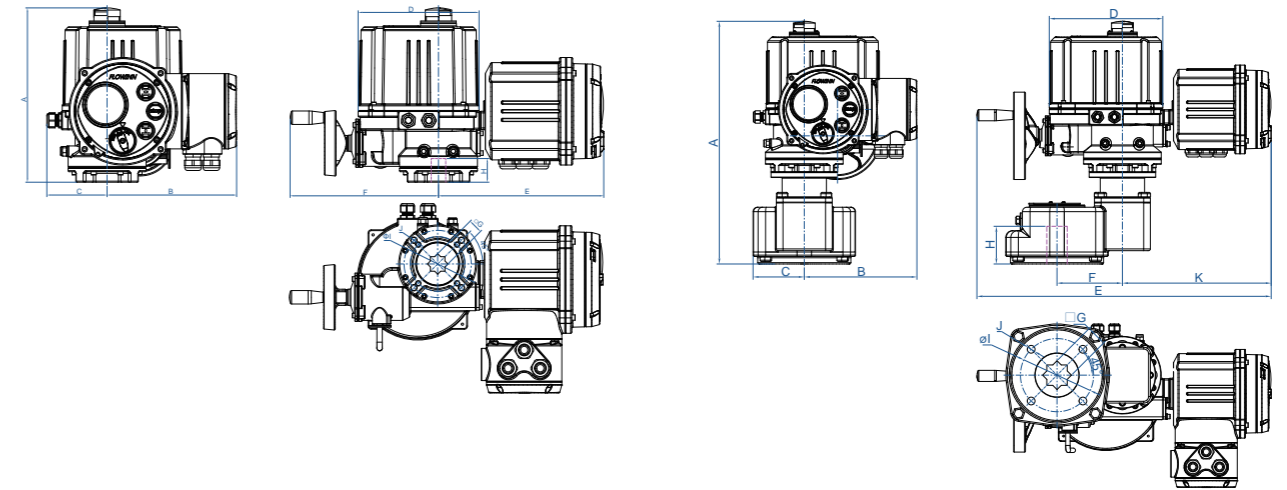
Type	A *	B *	C *	D *	E *	F *	□G	H	ΦI	J	K*	Unit:mm Weight (kg)
EOH10	258	193	96	164	295	252	11x11/14x14 17x17	32	50 70	4-M6 4-M8	—	14
EOH15	289	201	103	192	298	261	14x14 17x17 19x19 22x22	44	70 102	4-M8 4-M10	—	16.5
EOH20												
EOH26												
EOH35	325	208	112	225	308	276	19x19 22x22 27x27	44	102 125	4-M10 4-M12	—	19
EOH50												
EOH60	357	221	115	256	336	328	27x27 36x36	50	125 140	4-M12 4-M16	—	29
EOH80												
EOH100												
EOH150												
EOH200	547	221	116	256	664	148	36X36 46X46	85	140 165	4-M16 4-M20	336	69
EOH250												
EOH300												
EOH400	560	175	160	256	678	183	46X46 55X55	130	254	8-M16	336	100
EOH500												

Note: The tolerance of the above dimension with *** is ±3mm

Intelligent type

Product Dimension

EOH10-150 EOH200-500

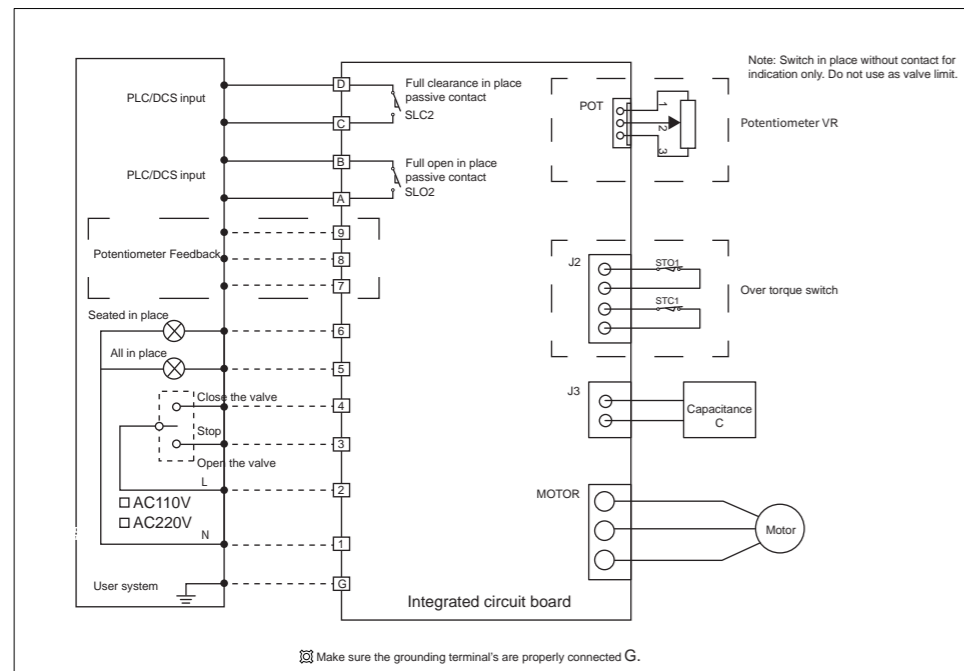


Type	A *	B *	C *	D *	E *	F *	□G	H	ΦI	J	K*	Unit:mm Weight (kg)
EOH10	259	226	96	164	295	252	11x11/14x14 17x17	32	50 70	4-M6 4-M8	—	14.5
EOH15	289	234	103	192	298	261	14x14 17x17 19x19 22x22	44	70 102	4-M8 4-M10	—	17
EOH20												
EOH26												
EOH35	325	241	112	225	308	276	19x19 22x22 27x27	44	102 125	4-M10 4-M12	—	19.5
EOH50												
EOH60	357	254	115	256	336	328	27x27 36x36	50	125 140	4-M12 4-M16	—	29.5
EOH80												
EOH100												
EOH150												
EOH200	547	254	116	256	664	148	36X36 46X46	85	140 165	4-M16 4-M20	336	69.5
EOH250												
EOH300												
EOH400	560	254	160	256	678	183	46X46 55X55	130	254	8-M16	336	100.5
EOH500												

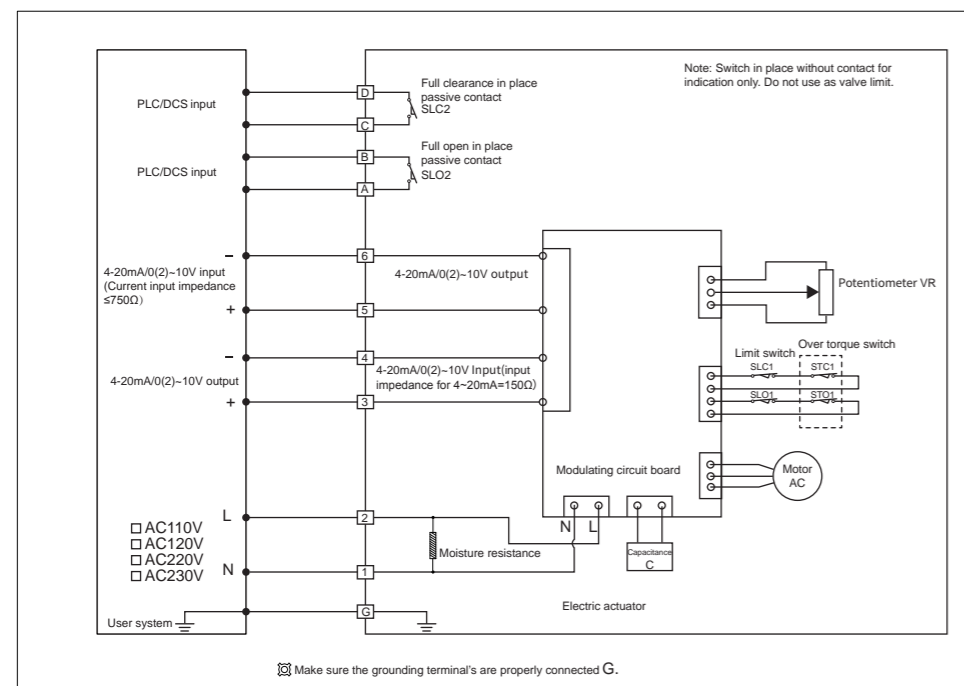
Note: The tolerance of the above dimension with *** is ±3mm

Wiring Diagram

EOH Singal phase on/off type wiring diagram



EOH Singal phase modulating type wiring diagram



Note: the above is the wiring diagram of single phase basic switch type and adjustable type, other models can be obtained from our company.



Quality & Service

Omeax professional service team is ready to provide users with comprehensive services and professional technical supports at all time:

- No matter is it by phone, mail or on the site, we are standing by for your inquiry
- Stable delivery time
- On-site installation and debugging
- Regularly follow up our products status and maintenance
- We provide training for structure knowledge, operation, debugging, maintenance and more.

Customized Production:

As to Omeax, there is no such thing called IMPOSSIBLE. For special requirements, we provide customized solutions.