

OMEAX

OMEAX

OMEAX – France :
1 rue Dewet
F-71100 Chalon-sur-Saone
FRANCE
Tel: +33 385 970 981
contact@omeax.com
<https://omeax.com/>



EOT Series

Compact Quarter-turn
Electric Actuator



Subject to change without notice.
Reproduction of part or all of the contents of this manual is prohibited.
Under the copyright laws, the contents of this product manual are forbidden
for any other purpose without the permission of Omeax corporation.

Version: FF202306-V01

COMPANY PROFILE

Omeax is a high-tech enterprise focusing on the R&D, manufacturing, sales and service of electric actuators. providing our customers with a one stop solution to intelligent industrial networking for valve actuations.

With our own professional research and development team, we are specialized in the development for electric actuator products and have acquired for up to 100 patent and product certificates. Our business network spreads throughout the world and maintaining strategic collaboration with many of the world's Top 500 enterprises.

We always adhere to the philosophy of "Serving customers, Respect for employees, and be on site", to provide the best valve control solutions for our users.



CONTENTS

- 01 ● **Product Introduction**
- 02 ● **Product Features**
- 03 ● **Technical Specification**
- 04 ● **Dimension**
- 05 ● **Wiring Diagram**
- 06 ● **Order Code**

EOT Series



Product Introduction

EOT series compact quarter-turn electric actuator is the motor through the rotary force of multi-stage reduction gear, worm gear and other mechanisms, and finally through the output shaft, in the form of rotation 90° to switch the valve device, mainly to drive and control the valve opening, such as butterfly valve, ball valve, plug valve and other similar valve application. The output torque range is 50~6000N.m, and the control mode is mainly divided into two types: on/off type and modulating type.

The product housing use die-cast aluminum alloy, multistage reduction gear, copper alloy worm wheel and high strength alloy worm transmission structure. Actuator output clearance is small, stroke repetition deviation within $\pm 1^\circ$, high control accuracy, for buildings and civil construction and other industries to provide quality solutions.

Limit Function

Adopt double CAM, convenient travel position setting.

Process Control

The actuator adopts QR code tracing to strictly control product quality.

Appearance design

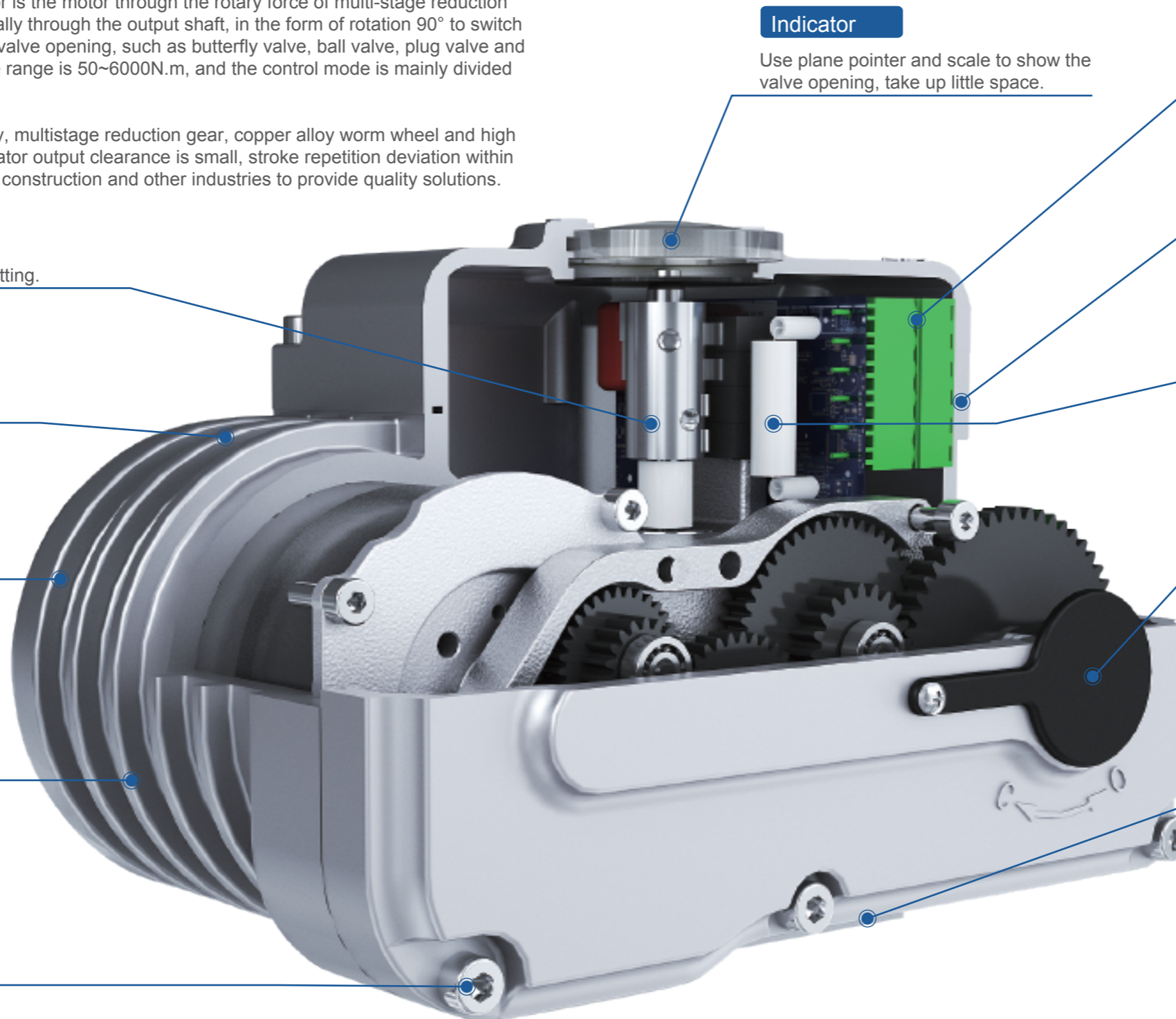
Patented streamlined design, small size, light weight, suitable for small space applications.

Operational Safety

Class F insulation motor. The motor winding has a temperature control switch to sense the temperature of the motor to protect the overheating issues, thus ensures the operational safety of the motor.

Anti-Corrosion resistance

The housing is coated with anti-corrosion epoxy powder coating, which has strong adhesion and corrosion resistance. All fasteners are stainless steel for outdoor applications.



Indicator

Use plane pointer and scale to show the valve opening, take up little space.

Wiring Simple

Plug - in terminal for easy connection.

Reliable Sealing

Adopt long - acting sealing ring design, effectively ensure water - proof grade.

Moisture Resistance

Installed with heater inside the actuator to prevent condensation and extend the life of the actuator.

Manual Operation

After the power is cut off, open the rubber cover and insert the matching Z-wrench to open and close the valve manually.

Connecting Flange

The bottom connecting hole position of the electric actuator is in accordance with ISO5211 standard, and the installation Angle can be flexibly changed to achieve the purpose of connecting the valve flange with different hole positions and angles.

Packaging

Product packaging with pearl cotton, accord with ISO2248 drop test.



EOT Compact Quarter-turn Electric Actuator -Technical Specification

Mode	EOT Series
Torque Range	50~6000N.m
Ingress Protection	IP67, Optional:IP68
Working Time	On/off type:S2-15min Modulating type:S4-50%
Applicable Voltage	AC110V,AC220V±10% 1 Phase;50/60Hz±5%, Optional:AC/DC24V,AC380V(Basic type)
Ambient Temperature	-25°~+60°C
Relative Humidity	≤90%(25°C)
Motor Specifications	Class F, with thermal protector
Output Connect	ISO5211 direct connection
Modulating Functional Configuration	Support loss signal mode, signal reversal selection function
Manual Device	Wrench operation, Optional:hand wheel
Position Indicator	Flat Pointer Indicator, 3D indication (optional)
Input Signal	On/off type:On/off signal Modulating type:Standard 4-20mA (input impedance:150Ω). Optional:0-10V, 2-10V, Optoelectronic isolation
Output Signal	On/off type:2-dry contact and 2-wet contact Modulating type:Standard 4-20mA (output impedance:≤750Ω). Optional:0-10V, 2-10V; Optoelectronic isolation
Cable Interface	On/off type:1*PG13.5;Modulating type:2*PG13.5;On/off type (380V): 2*PG13.5
Space Heater	Standard
Over Torque Protection	Over torque switches are available expect Modulating type and EOT05
Color	RAL9006 (Silver grey), Anti corrosion epoxy powder coating

EOT Compact Quarter-turn Electric Actuator -Technical Performance

Mode	Power (W)	Max output Torque (N.m)		Running time (Sec) 50Hz			ISO5211	Stem connection dimensions (mm)	Stem height (mm)	Weight (kg)	Remark
		AC110V AC220V AC/DC24V	AC380V 3 Phase	AC110V AC220V 50Hz	AC380V	AC/DC 24V					
EOT05	6	50	—	19	—	15	F03/F05 /F07	□9 □11 □14 Octagon	≤20	2	8# Wrench operation
EOT10	25	100		30		23	F05/F07	□11 □14 □17 Octagon	≤32	4.5	6mm Allen manual wrench operation
EOT20	40	200		30		23	F07/F10	□14 □17 □22 Octagon	≤44	10	
EOT40	60	400		30		23					
EOT60	90	600		30		23	□27 Octagon				
EOT100	120	1000		30		23	F10/F12	□22 □27 □36 Octagon	≤30	26	
EOT160	150	1600		42		32					
EOT250	200	2500		70		53	F14 F16	□27 □36 Octagon	≤55	28	
EOT400	200	4000		93		-	F16	□46 Octagon	≤85	68	
EOT600	200	6000		153		-	F16	□55 Octagon	≤85	80	

Note: 1. Standard configuration.

2. The switching time allows ±20%. EOT05 has no DC24V regulation

3. The rated torque is 0.75 times the maximum torque

4. The above is the 50Hz switching time, and the 60Hz switching time is 5/6 times the 50Hz switching time.

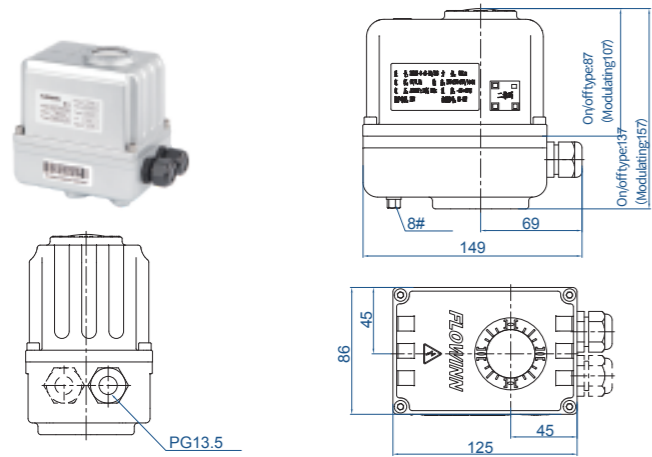
Same as above for maximum torque.

5. If the valve stem height of the valve is greater than the above size, please contact our business personnel, can be customized according to its size.

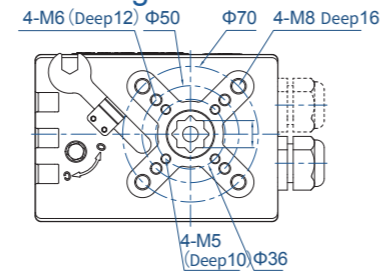
6. EOT05 If you need mechanical limit, please contact our business personnel.

EOT05

Unit:mm



Mounting

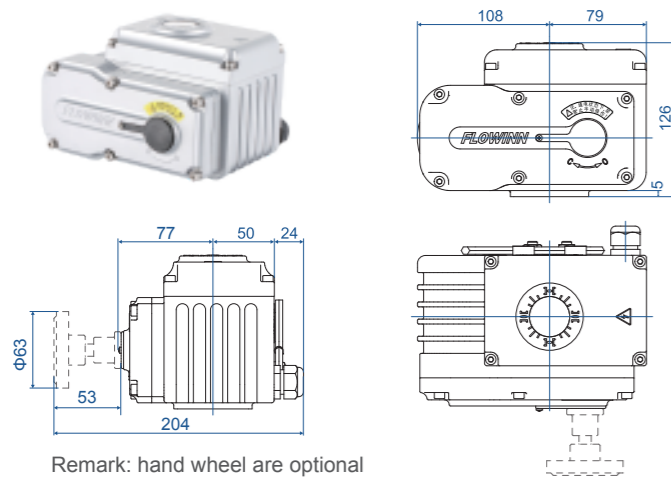


Note:
Cable connector
Switch type: 1
Adjustable type:
2 PCS

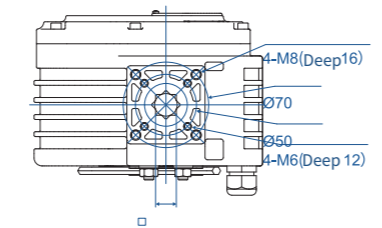
Mode	EOT05
Stem Size	□9 □11 □14 Octagon
Flange Size	F03 / F05 / F07
Stem Height	≤20

EOT10

Unit:mm



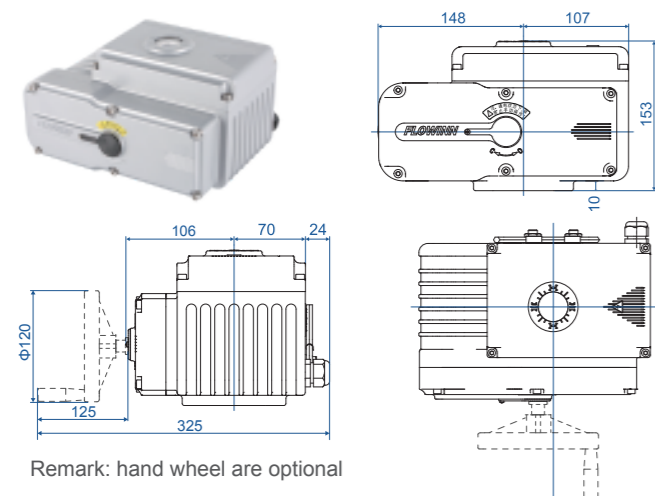
Mounting



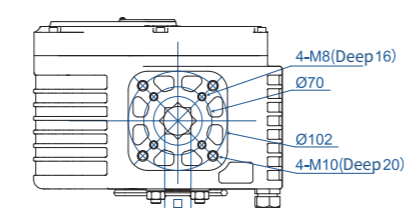
Mode	EOT10
Stem Size	□11 □14 □17 Octagon
Flange Size	F05 / F07
Stem Height	≤32

EOT20/40/60

Unit:mm



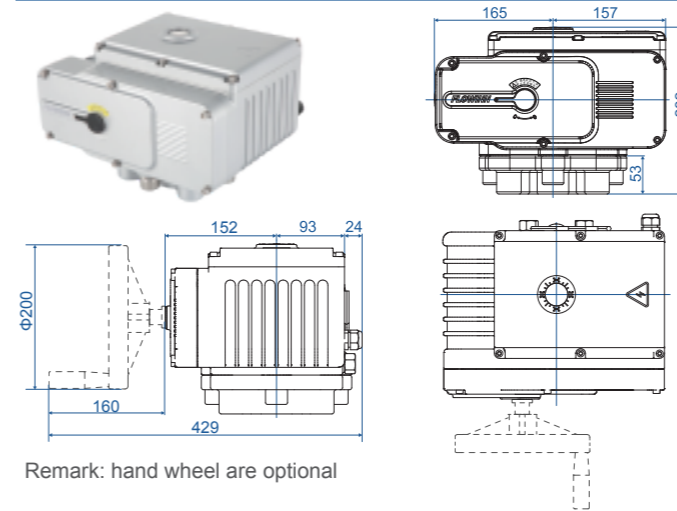
Mounting



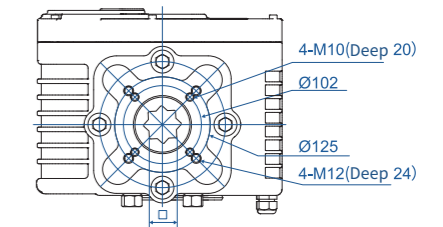
Mode	EOT20/40	EOT60
Stem Size	□14 □17 □22 Octagon	□27 Octagon
Flange Size	F07 / F10	F12
Stem Height	≤44	

EOT100/160

Unit:mm



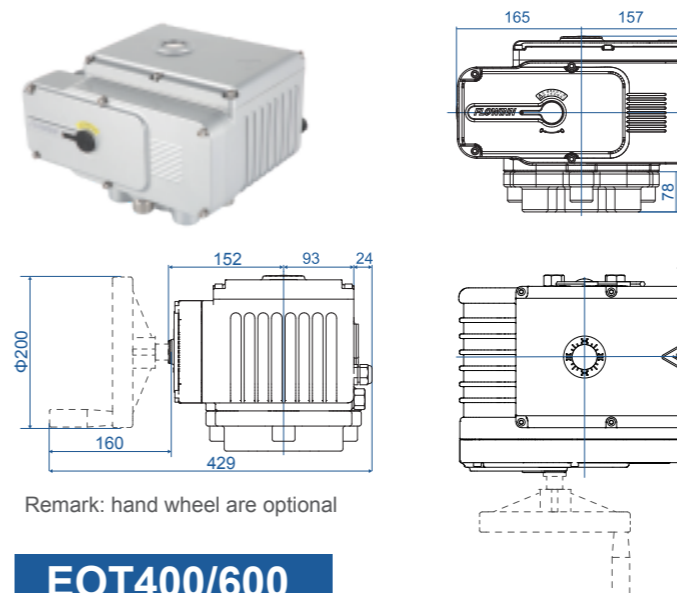
Mounting



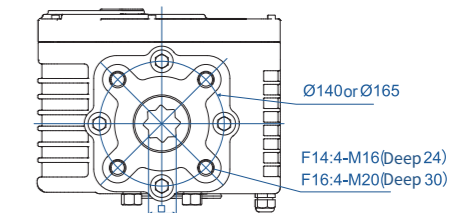
Mode	EOT100/160
Stem Size	□22 □27 □36 Octagon
Flange Size	F10/F12/F14/F16
Stem Height	≤30

EOT250

Unit:mm



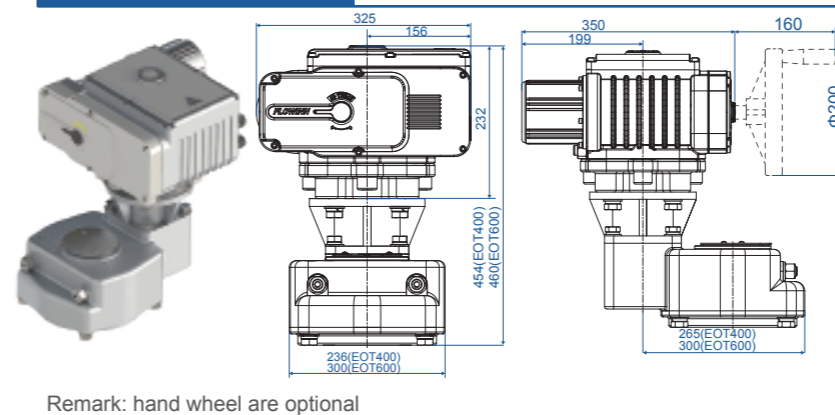
Mounting



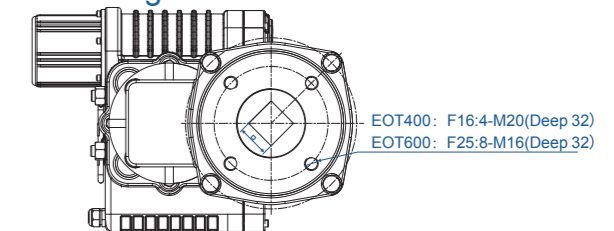
Mode	EOT250
Stem Size	□27 □36 Octagon
Flange Size	F14 F16
Stem Height	≤55

EOT400/600

Unit:mm

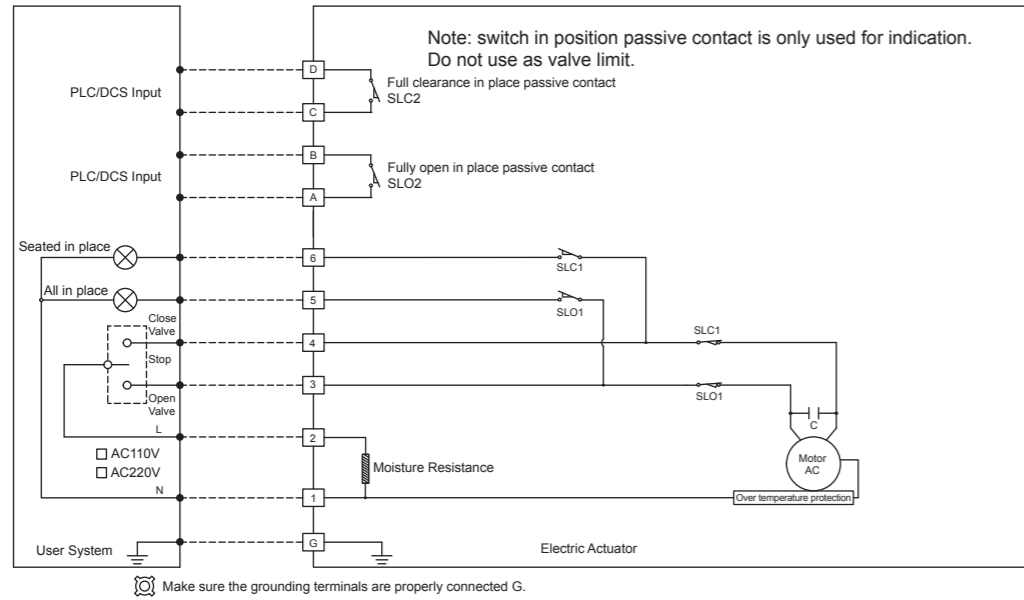


Mounting

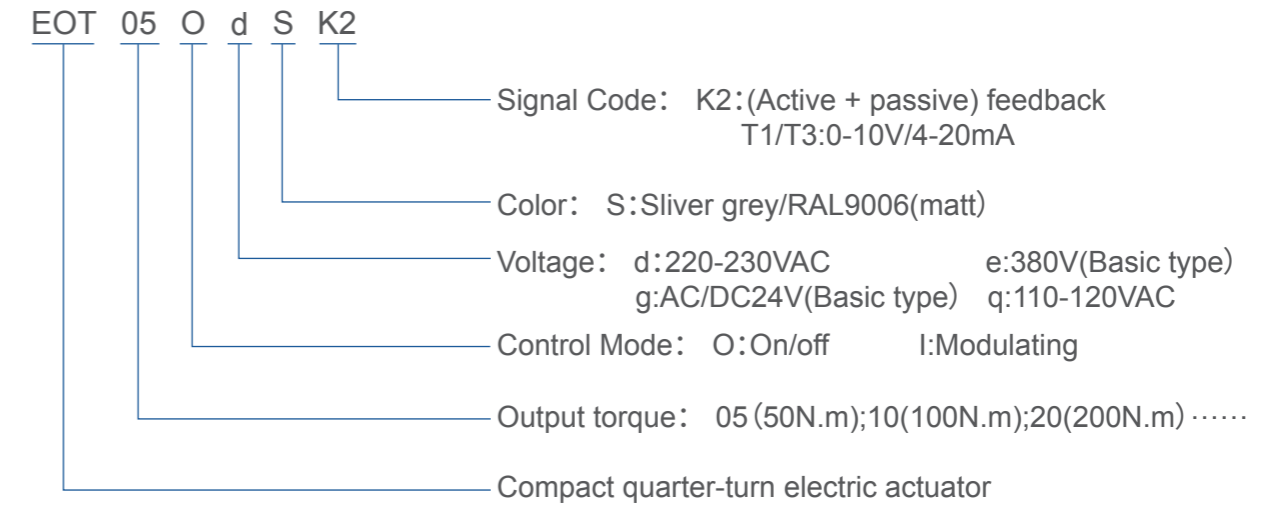


Mode	EOT400	EOT600
Stem Size	□46 Octagon	□55 Octagon
Flange Size	F16	F25
Stem Height	≤85	

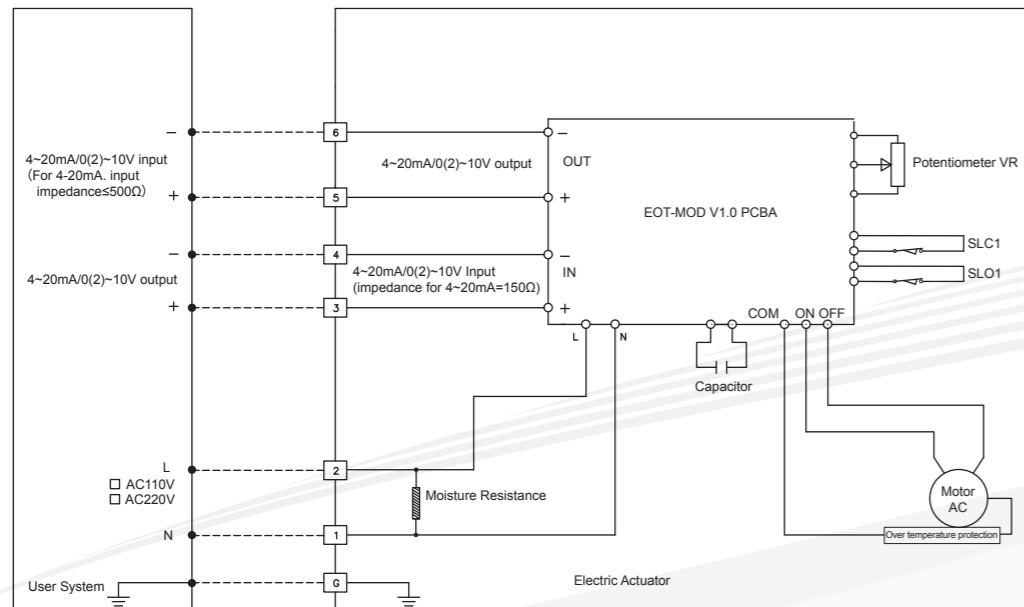
EOT Signal phase on/off type wiring diagram



Order Code



EOT Signal phase modulating type wiring diagram



SERVICES

FLOWINN's professional service team is ready to provide users with comprehensive services and professional technical supports at all time:



Under normal use,
two years warranty



Stable delivery time



For special requirements,
we provide customized solutions



On-site installation and debugging



Regularly follow up our products
status and maintenance



We provide training for structure knowledge,
operation, debugging, maintenance and more

- Subject to change without notice.
- Reproduction of part or all of the contents of this manual is prohibited. Under the copyright laws, the contents of this product manual are forbidden for any other purpose without the permission of Omeax corporation.