



Application industry

Lithium battery industry

- Positive and negative electrode materials

Construction industry

- Concrete production
- Asphalt mixing plant
- Construction industry bin manufacturing

Plastics and chemicals industries

- Plastic raw material treatment
- Rubber and plastic recycling
- Fertilizer, pesticide, pesticide processing
- Pharmaceutical processing

Heavy industry

- Cement, lime, gypsum and other mineral processing
- Crushing plant, screening plant
- Foundry, steel factory

Power plant (fly ash treatment)

- Power plant (fly ash treatment)
- Lime dosing equipment
- Mechanical, pneumatic transmission equipment
- Batching factory, packaging factory/battery manufacturing

Environmental science and technology

- Industrial wastewater treatment (including sludge treatment)
- Industrial solid waste processing
- Dust filter device

Summarize

Powder butterfly valves are mainly used to open and close bins, hoppers and silos containing powder or granular materials. The pneumatic powder butterfly valve can be applied to the treatment of all powder and granular materials. The valve uses the material's own gravity for intercepting the flow and pneumatic transmission of dry materials. Pneumatic powder butterfly valves can be installed under hoppers, bins, silos, spirals or other types of conveyors, as well as connected to pneumatic delivery lines. Due to the special structure of the valve and the use of engineering materials, it is a very economical and highly efficient choice.

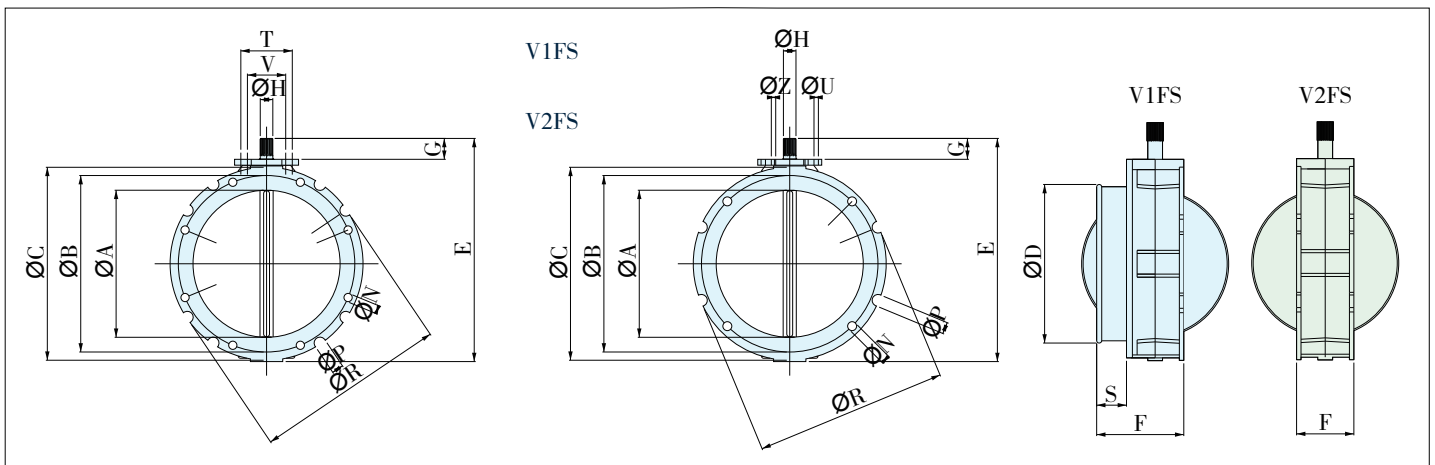
Characteristic

- V1FS valve with top flange and bottom hem, suitable for connecting flexible casing
- V2FS valve, top and bottom of the same flange
- Dustproof under maximum pressure of 0.2bar(2.9PSI)
- High-pressure die casting of the half valve body, the half valve body is aluminum alloy material
- Valve disc material is carbon steel, stainless steel, etc. (can be sprayed on the surface of the valve plate tungsten carbide coating, more wear-resistant)
- Standard grade and food grade seals
- Less components
- Light weight, easy to handle
- Replaceable disc
- High corrosion resistance
- Easy assembly
- Fast maintenance
- No residue after transferring material



Type rule: V2FS 300 /

Connection type	DN	Disc	Seat	Control mode	Signal feedback	Control valve	Electromagnetic coil
V1FS Single flange	100	S wear-resisting	N NBR	 Pneumatic	W Signal switch	F Solenoid valve	220VAC
V2FS Double flange	150	GB Cast iron	E EPDM	E power-driven	S Switch		110VAC
	200	A Stainless steel	S SI Silica gel	H Handle	D Regulate		24VDC
	250	L Aluminium alloy	I Food grade rubber				
	300						
	350						
400							



型号	Ø A	Ø B	Ø C	Ø D	E	F	G	Ø H	N	P	Ø R	S	T	U	V	Z
V1FS 100	95	180	220	105	250	115	35	22x19	4 x Ø14	4 x Ø20	220	40	80	M12	50	M10
V1FS 150	150	200	228	163	290	115	35	22x19	4 x Ø14	4 x Ø20	228	40	80	M12	50	M10
V1FS 200	200	250	278	213	340	115	35	22x19	4 x Ø14	4 x Ø20	278	40	80	M12	50	M10
V1FS 250	250	300	328	263	390	115	35	22x19	8 x Ø14	8 x Ø20	325	40	80	M12	50	M10
V1FS 300	300	350	378	313	440	115	35	22x19	8 x Ø14	16 x Ø20	375	40	80	M12	50	M10
V1FS 350	350	400	440	363	530	123	50	28x25	8 x Ø14	8 x Ø20	440	40	80	M12	-	-
V1FS 400	400	470	530	413	580	123	50	28x25	8 x Ø14	16 x Ø20	530	40	80	M12	-	-

型号	Ø A	Ø B	Ø C	E	F	G	Ø H	N	P	Ø R	T	U	V	Z
V2FS 100	95	180	220	250	77	35	22x19	4 x Ø14	4 x Ø20	220	80	M12	50	M10
V2FS 150	150	200	228	290	77	35	22x19	4 x Ø14	4 x Ø20	228	80	M12	50	M10
V2FS 200	200	250	278	340	77	35	22x19	4 x Ø14	4 x Ø20	278	80	M12	50	M10
V2FS 250	250	300	328	390	77	35	22x19	8 x Ø14	8 x Ø20	325	80	M12	50	M10
V2FS 300	300	350	378	440	77	35	22x19	8 x Ø14	16 x Ø20	375	80	M12	50	M10
V2FS 350	350	400	440	530	85	50	28x25	8 x Ø14	8 x Ø20	440	80	M12	-	-
V2FS 400	400	470	530	580	85	50	28x25	8 x Ø14	16 x Ø20	530	80	M12	-	-

The manufacturer reserves the right to modify the parameters without prior notice