



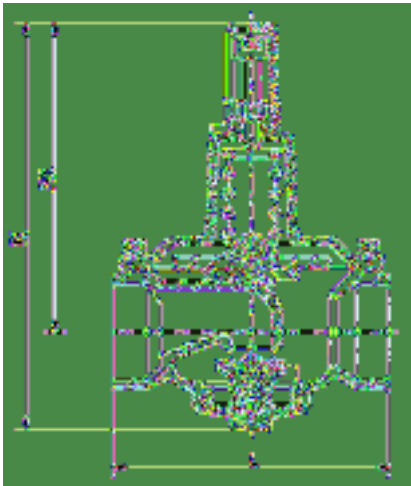
SPECIFICATIONS

DN mm	DN 10 - DN 50
DN inch	1 - 3/8"
Temperature	0°C to 80°C
Type of body	F / F
Application	Cold/hot water, glycol solution concentration < 50%
Connection	Threaded ISO 7-1 BSP
Test	EN 12266-2 (test body safety and tightness, test seat tightness)
Setting range	1 to 10 bars
Options	Other specifications on request : - stainless steel 316, 316L or bronze - NBR seal - NPT connection - PN25 - other setting

ADVANTAGES

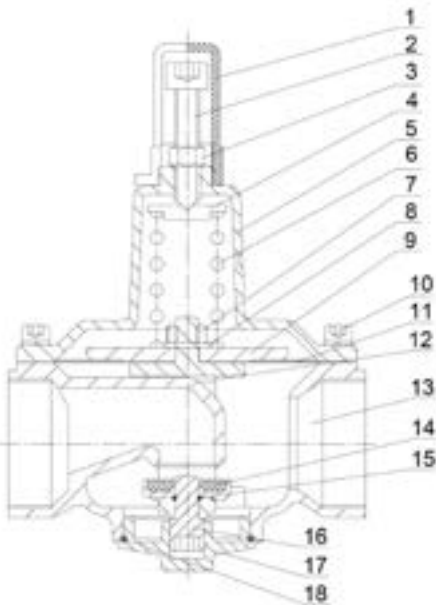
- Balanced design
- Bigger diaphragm to be more sensitive
- stirrup design to avoid any blocking
- Install and operation in any position
- Easy installation and maintenance

DIMENSIONS



DN mm	DN inch	PFA	L	H	H1
10	3/8"	16	80	175	133
15	1/2"	16	97	168	128
20	3/4"	16	100	178	135
25	1"	16	106	183	139
32	1"1/4	16	112	188	143
40	1"1/2	16	124	190	144
50	2"	16	170	216	164

NOMENCLATURE



Designation	Materials
1.cap	ABS
2.Adjusting screw	Stainless steel 304
3.Jam nut	Stainless steel 304
4.spring guide	Stainless steel 304
5.bonnet	Stainless steel 304
6.spring	Chromium-vanadium steel
7.nut	Stainless steel 304
8.washer	Stainless steel 304
9.fixing holder	Stainless steel 304
10.screw	Stainless steel 304
11.diaphragm	EPDM nylon reinforced
12.stirrup	Stainless steel 304
13.body	Stainless steel 304
14.flat seal	Stainless steel 304 + EPDM
15.o-ring	NBR
16.spindle	Stainless steel 304
17.cover	Stainless steel 304
18.o-ring	NBR

HEADLOSS

