



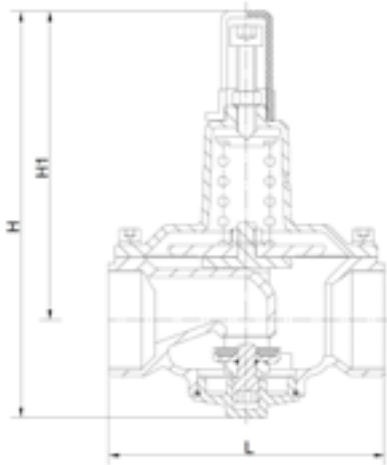
SPECIFICATIONS

DN mm	DN 10 - DN 50
DN inch	1 - 375"
Temperature	0°C to 80°C
Type of body	F / F
Application	Cold/hot water, glycol solution concentration < 50%, sea water, aggressive media
Connection	Threaded ISO 7-1 BSP
Test	EN 12266-2 (test body safety and tightness, test seat tightness)
Setting range	1 to 10 bars
Options	Other specifications on request : - stainless steel 304, 316L or bronze - EPDM seal - NPT connection - PN25 - other setting

ADVANTAGES

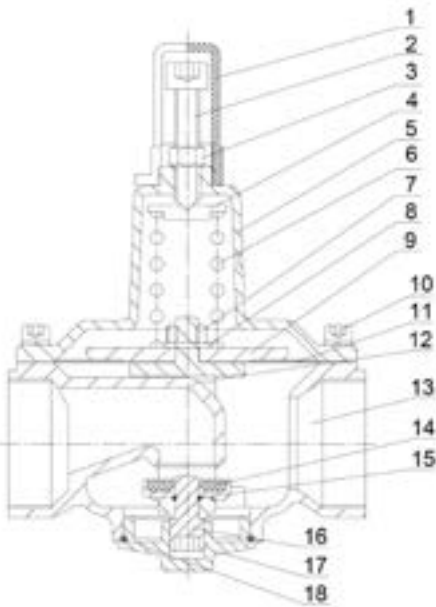
- Balanced design**
- Bigger diaphragm to be more sensitive**
- stirrup design to avoid any blocking**
- Install and operation in any position**
- Easy installation and maintenance**

DIMENSIONS



DN mm	DN inch	PFA	L	H	H1
10	3/8"	16	80	175	133
15	1/2"	16	97	168	128
20	3/4"	16	100	178	135
25	1"	16	106	183	139
32	1"1/4	16	112	188	143
40	1"1/2	16	124	190	144
50	2"	16	170	216	164

NOMENCLATURE



Designation	Materials
1.cap	ABS
2.Adjusting screw	Stainless steel 316
3.Jam nut	Stainless steel 316
4.spring guide	Stainless steel 316
5.bonnet	Stainless steel 316
6.spring	Chromium-vanadium steel
7.nut	Stainless steel 316
8.washer	Stainless steel 316
9.fixing holder	Stainless steel 316
10.screw	Stainless steel 316
11.diaphragm	NBR nylon reinforced
12.stirrup	Stainless steel 316
13.body	Stainless steel 316
14.flat seal	Stainless steel 316 + NBR
15.o-ring	NBR
16.spindle	Stainless steel 316
17.cover	Stainless steel 316
18.o-ring	NBR

HEADLOSS

