

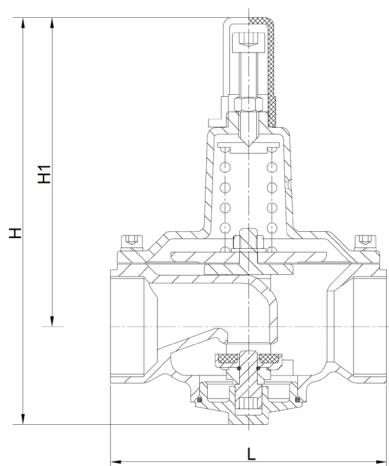
SPECIFICATIONS

DN mm	DN 10 - DN 50
DN inch	3/8 - 2 "
Temperature	0°C to 80°C
PFA	16
Type of body	F / F
Application	Cold/hot water, glycol solution concentration < 50%
Connection	Threaded ISO 7-1 BSP
Test	EN 12266-2 (test body safety and tightness, test seat tightness)
Setting range	1 To 10 bars
Options	Other specifications on request : - stainless steel 316, 316L or bronze - NBR seal - NPT connection - PN25 - other setting

ADVANTAGES

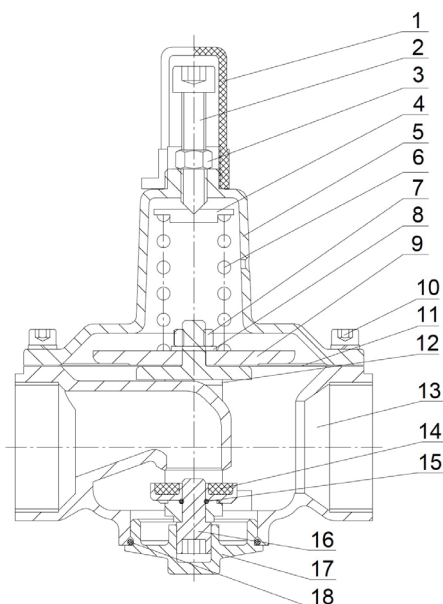
- Balanced design
- Bigger diaphragm to be more sensitive
- stirrup design to avoid any blocking
- Install and operation in any position
- Easy installation and maintenance

DIMENSIONS



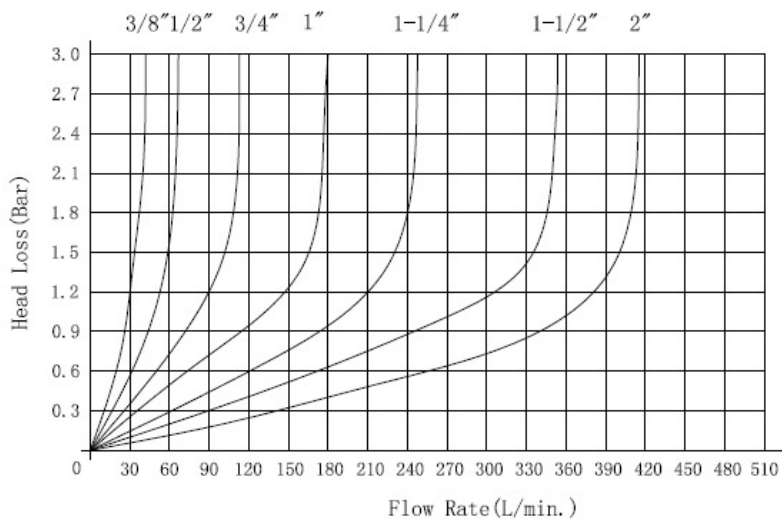
DN mm	DN inch	PFA	L	H	H1
10	3/8"	16	80	175	133
15	1/2"	16	97	168	128
20	3/4"	16	100	178	135
25	1"	16	106	183	139
32	1"1/4	16	112	188	143
40	1"1/2	16	124	190	144
50	2"	16	170	216	164

NOMENCLATURE



Designation	Materials
1.Cap	ABS
2.Adjusting screw	Inox 304
3.Jam nut	Acier 304
4.Spring guide	Inox 304
5.Bonnet	Inox 304
6.Spring	Acier au chrome-vanadium
7.Nut	Inox 304
8.Washer	Inox 304
9.Fixing holder	Inox 304
10.Screw	Inox 304
11.Diaphragm	EPDM nylon renforcé
12.Stirrup	Stainless steel 304
13.Body	Stainless steel 304
14.Flat seal	Inox 304 + EPDM
15.O-ring	NBR
16.Spindle	Inox 304
17.Cover	Stainless steel 304
18.O-ring	NBR

HEADLOSS



CAVITATION CHART

- Green area: PR100 range
- Yellow area: for a nother range
- Red area: not applicable, high cavitation
- Pink area: Outlet is less than 1 bar, personalized product, please contact us.

