



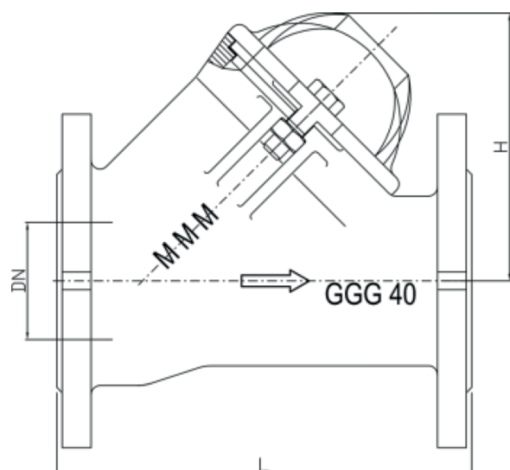
SPECIFICATIONS

DN mm	DN 50 - DN 400
DN inch	2" - 16"
PS	10 bars
Temperature	-10°C to 80°C
Ball	Alu-NBR coated
Type of body	Flange
Flange	PN 10
Application	Waste water, viscous liquid, loaded liquids
Options	Other specifications on request

ADVANTAGES

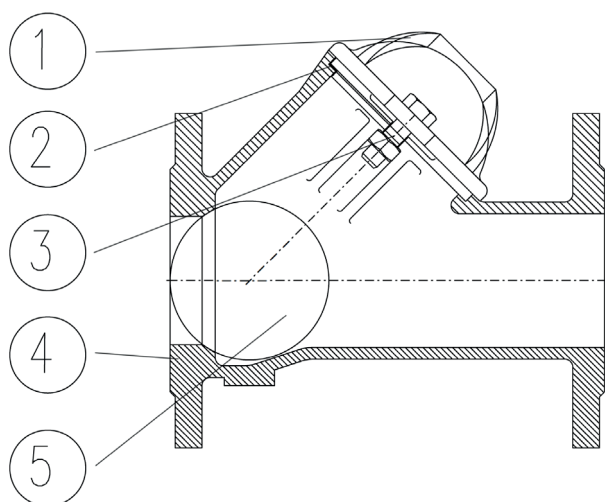
1. Silent and robus design
2. Very low headloss
3. Excellent sealing guaranted by the coated ball
4. Self cleaning design to avoid incrustating
5. Carefully designed ball closing system to ensure opening and closing of the valves
6. Full passage when the ball is lifted
7. Vertical ascending and horizontal position

DIMENSIONS



DN mm	DN inch	PFA	L	H
50	2"	10	200	98
65	2"1/2	10	240	149
80	3"	10	260	217
100	4"	10	300	257
125	5"	10	350	335
150	6"	10	400	407
200	8"	10	500	479
250	10"	10	600	575
300	12"	10	700	696
350	14"	10	800	
400	16"	10	900	

NOMENCLATURE



Designation	Materials
1. Cover	DI epoxy coated
2. Seal	NBR
3. Bolts and nuts	Stainless steel
4. Body	DI epoxy coated
5. Ball	Aluminium NBR coating